

LINE - VOLTAGE HEADS

Tweak Ceramic Metal Halide MR16/PAR Head

DESCRIPTION

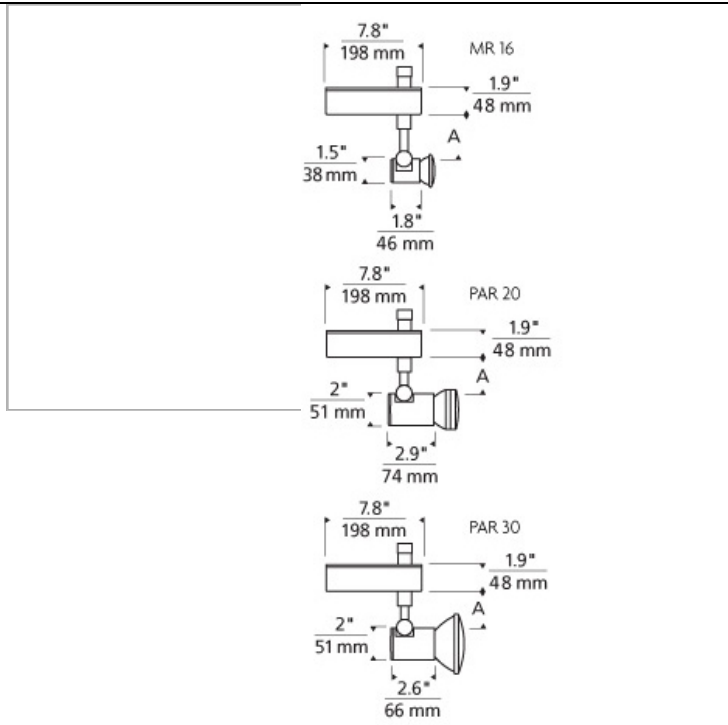
Minimal head pivots vertically 180°, rotates horizontally 350°. Features horizontal locking mechanisms. Includes energy-saving electronic ballast in slim aluminum die cast housing. Input voltage 120v 50/60 hertz; THD<10%. Power Jack version is compatible with Power Jack Canopy with CMH Ballast (sold separately). Ceramic metal halide MR16 lamp with GX10 base up to 39 watts; ceramic metal halide PAR20 lamp with E26 medium base up to 39 watts; PAR30 long lamp with E26 medium base up to 70 watts (lamp not included).

ACCESSORIES & OPTICAL CONTROLS

PAR Louver Lens Holder

WEIGHT

1lb / 0.45kg ±



ORDERING INFORMATION

700 SYSTEM	TWSC	SHAPE OR SIZE	LENGTH (A)	FINISH
PJ	POWERJACK	162 MR16 20 WATT	06 6"	S SATIN NICKEL
TT	SINGLE-CIRCUIT T-TRAK	163 MR16 39 WATT	12 12"	W WHITE
TT2	TWO-CIRCUIT T-TRAK	202 PAR20 20 WATT		
		203 PAR20 39 WATT		
		30L2 PAR30 LONG 20 WATT		
		30L3 PAR30 LONG 39 WATT		
		30L7 PAR30 LONG 70 WATT		



700 ____ TWSC ____

FIXTURE TYPE: _____

JOB NAME: _____

NOTES: _____

