

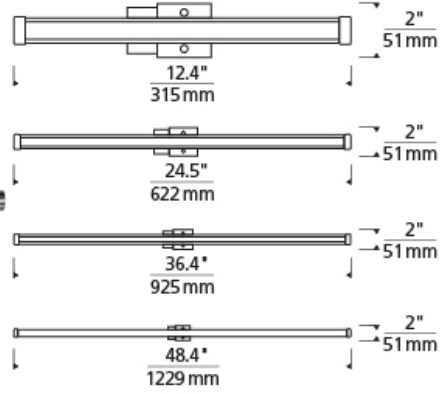
BATH COLLECTION

Rae Vanity Kit



DESCRIPTION

A special co-extruded remote phosphor LED channel is designed to adapt to virtually any mirror to create a truly custom lit vanity. The LED Channel provides an amazingly slim profile less than 1 inch deep with flawless, even illumination and great color reproduction. Comes complete with 3.9watt/ft of LEDs to create 300lms/ft or 7.8 watt/ft of LEDs to create 600lms/ft available in 4 CCT options and 2 CRI options. Each unit ships complete with a 2" square/3" deep J-Box and requires a remote mounted transformer (sold separately). Transformer size based on total number of Vanity Kits powered on the transformer.



ORDERING INFORMATION

700BCRAEVKTR	SHAPE OR SIZE	LENGTH (A)	FINISH	LAMP
302	300 LMS/FT-2" CANOPY	12 12"	C CHROME	-LED824 LED 80 CRI 2400K
602	600 LMS/FT-2" CANOPY	24 24"	S SATIN NICKEL	-LED830 LED 80 CRI 3000K
		36 36"		-LED835 LED 80 CRI 3500K
		48 48"		-LED840 LED 80 CRI 4000K
				-LED930 LED 90 CRI 3000K

Order Remote Power Supply Separately Item Number: 700AT060EL or 700AT152EL.



TECH LIGHTING®

7400 Linder Avenue T 847.410.4400
Skokie, Illinois 60077 F 847.410.4500

Tech Lighting, L.L.C.

700 BCRAEVKTR _____

FIXTURE TYPE: _____

JOB NAME: _____

NOTES: _____



©2014 Tech Lighting, L.L.C. All Rights Reserved. The "Tech Lighting" graphic is a registered trademark of Tech Lighting, L.L.C. Tech Lighting reserves the right to change specifications for product improvements without notification.