

LINE - VOLTAGE HEADS

Om Ceramic Metal Halide T4 Head

DESCRIPTION

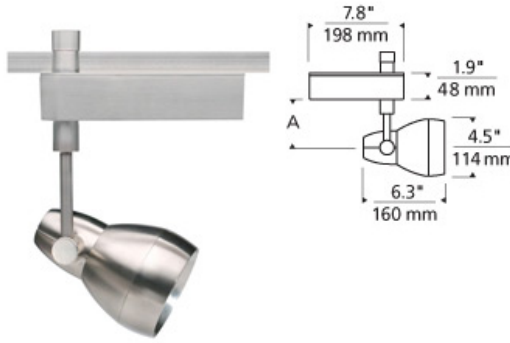
Versatile die cast aluminum head, pivots vertically 180°, rotates horizontally 350°. Features vertical and horizontal locking mechanisms and decorative lens ring. Four beam spread options with specular reflector. Includes energy-saving electronic ballast in slim aluminum die cast housing. Input voltage 120v 50/60 hertz, THD <10%. Power Jack version is compatible with Power Jack Canopy with Ballast (sold separately). Ceramic metal halide T4.5 lamp with G8.5 base, up to 70 watts (lamp not included). Hold up to two PAR30 lenses or louvers.

ACCESSORIES & OPTICAL CONTROLS

Colored Lens, Dichroic Lens, Diffuser Lens, Linear Spread Lens, Soft Focus Lens, UV Filter

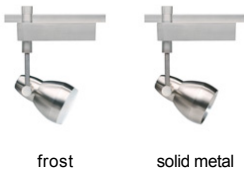
WEIGHT

5.1lb / 2.31kg ±



solid metal

COLOR OPTIONS



ORDERING INFORMATION

700 SYSTEM	OMT4	SHAPE OR SIZE	LENGTH (A)	COLOR	FINISH
PJ	POWERJACK	12 15° BEAM SPREAD 20 WATT	06 5.1"	F FROST	S SATIN NICKEL
TT	SINGLE-CIRCUIT T-TRAK	13 15° BEAM SPREAD 39 WATT	12 11.1"	S SOLID METAL	W WHITE
TT2	TWO-CIRCUIT T-TRAK	17 15° BEAM SPREAD 70 WATT			
		32 30° BEAM SPREAD 20 WATT			
		33 30° BEAM SPREAD 39 WATT			
		37 30° BEAM SPREAD 70 WATT			
		42 45° BEAM SPREAD 20 WATT			
		43 45° BEAM SPREAD 39 WATT			
		47 45° BEAM SPREAD 70 WATT			
		62 60° BEAM SPREAD 20 WATT			
		63 60° BEAM SPREAD 39 WATT			
		67 60° BEAM SPREAD 70 WATT			

To order this head for use with Halo*, Juno*, or Lightolier* 120 volt single-circuit track, order as follows:

Substitute **700TT** with one of the following: **700TH** (fits Halo*), **700TJ** (fits Juno*) or **700TI** (fits Lightolier*) and by substituting the finish with one of the following: **BS** (Black/Satin Nickel), **BW** (Black/White), **WS** (White/Satin Nickel) or **WW** (White/White).

*Tech Lighting is not affiliated, nor is it endorsed by any of the companies listed nor does Tech Lighting distribute any of their products.



700	___	OMT4	___	___	___	___
FIXTURE TYPE: _____						
JOB NAME: _____						
NOTES: _____						

