

# LOW-VOLTAGE HEADS

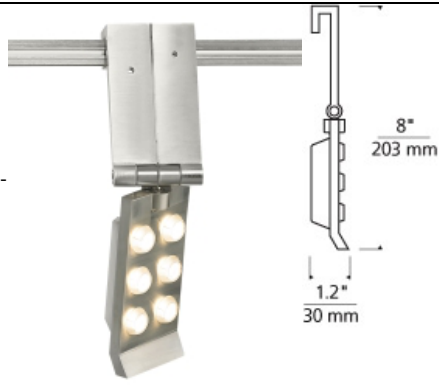
## Flip Head

### DESCRIPTION

Inspired by the iconic flip phones of the early 21st century, the directional Flip head from Tech Lighting provides a well-controlled beam of light by way of six LEDs, each with a dedicated beam control optic. Highly versatile 90° tilt up or down and 80° rotation on either side of the MonoRail. Includes 9 watt, 560 net lumen, 3000K LED module. Dimmable with low-voltage electronic or magnetic dimmer (based on the transformer).

### WEIGHT

0.61lb / 0.28kg ±



flip head

### ORDERING INFORMATION

700 SYSTEM	FLP	COLOR TEMP	BEAM SPREAD	FINISH
MO	MONORAIL	830 80 CRI 300K	25 25°	S SATIN NICKEL
MO2	TWO-CIRCUIT MONORAIL	930 90 CRI 300K	45 45°	



**TECH LIGHTING®**

7400 Linder Avenue T 847.410.4400  
Skokie, Illinois 60077 F 847.410.4500

Tech Lighting, L.L.C.

700 \_\_\_\_ FLP \_\_\_\_

FIXTURE TYPE: \_\_\_\_\_

JOB NAME: \_\_\_\_\_

NOTES: \_\_\_\_\_



©2015 Tech Lighting, L.L.C. All Rights Reserved. The "Tech Lighting" graphic is a registered trademark of Tech Lighting, L.L.C. Tech Lighting reserves the right to change specifications for product improvements without notification.