

MONORAIL

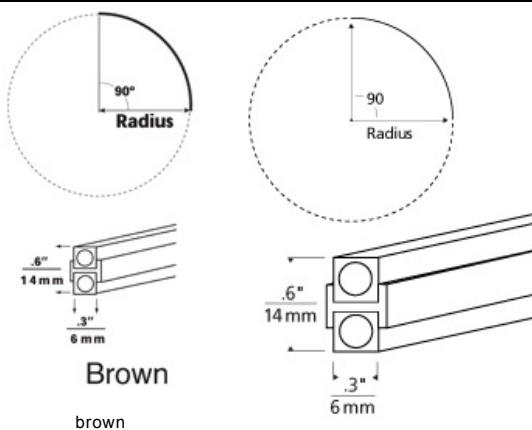
Pre-Bent 90° Curve MonoRail

DESCRIPTION

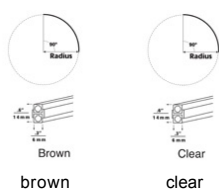
Horizontal 90° curves are sold by radius, or the distance from the center of the circle to the outside edge. Join four 90° curves to create a circle with a diameter (overall width) equal to twice the specified radius. For a factory bend not shown, please call for a custom quotation.

WEIGHT

0.21-1.72lb / 0.1-0.78kg ±



COLOR OPTIONS



ORDERING INFORMATION

700MOBH90	SHAPE OR SIZE	COLOR	FINISH
12	PRE-BENT 90° CURVE	BR BROWN	Z ANTIQUE BRONZE
18	PRE-BENT 90° CURVE	CLEAR	C CHROME
24	PRE-BENT 90° CURVE		S SATIN NICKEL
36	PRE-BENT 90° CURVE		
48	PRE-BENT 90° CURVE		
60	PRE-BENT 90° CURVE		

TECH LIGHTING®
 7400 Linder Avenue T 847.410.4400
 Skokie, Illinois 60077 F 847.410.4500
 Tech Lighting, L.L.C.

700MOBH90 _____

FIXTURE TYPE: _____

JOB NAME: _____

NOTES: _____
