

Rigid Standoff With X/T/L Connector

700TTS_

2.1

T~TRAK SPECIAL INSTALLATIONS

GENERAL PRODUCT INFORMATION:

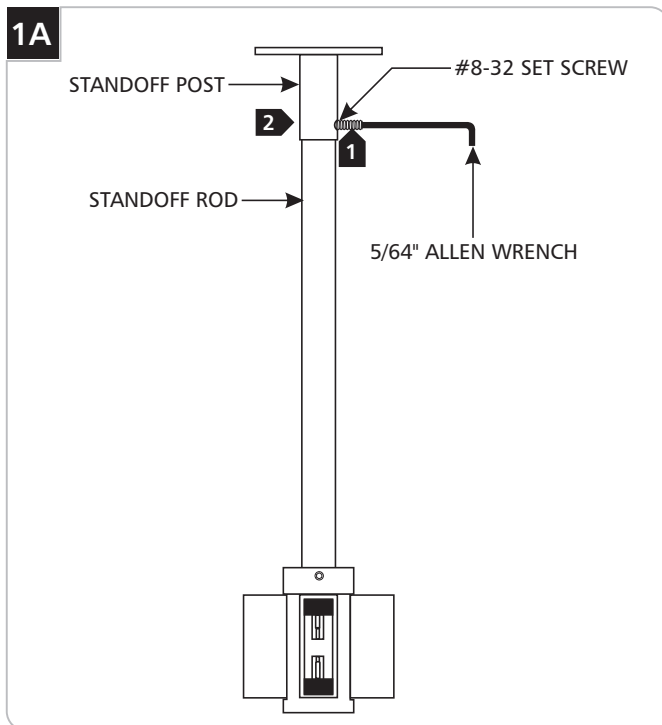


This product is suitable for indoor dry locations only.

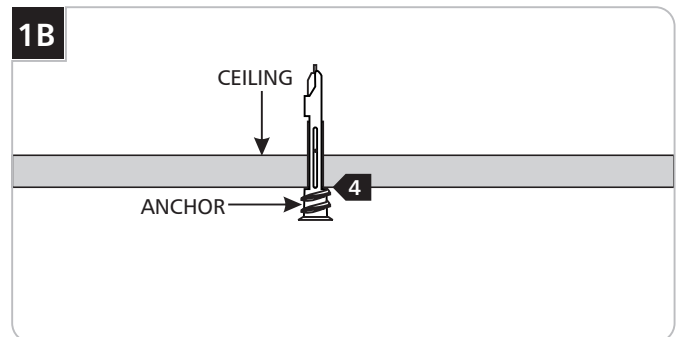
Use the rigid standoffs every four feet of a Single-Circuit T~trak™ run.



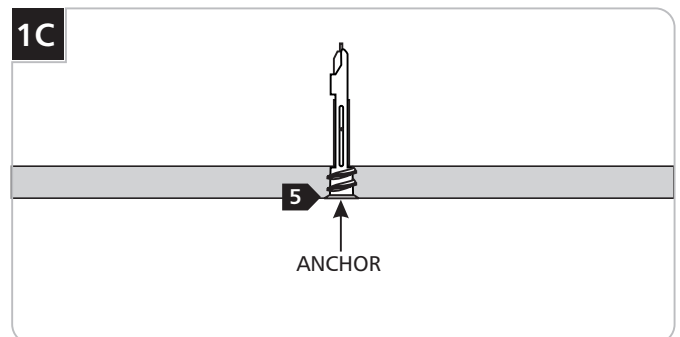
Install the Standoff Hardware



- 1** Remove the #8-32 set screw with the provided 5/64" Allen wrench.
- 2** Remove the standoff post from the standoff rod.

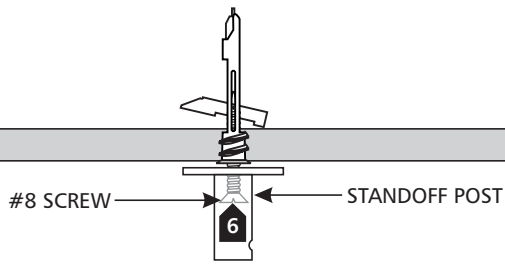


- 3** Mark the standoff location points onto the ceiling.
- 4** Tap the anchor at the marked point into the ceiling up to the threaded portion with a hammer.



- 5** Screw the anchor in the rest of the way with a Phillips screwdriver.

1D

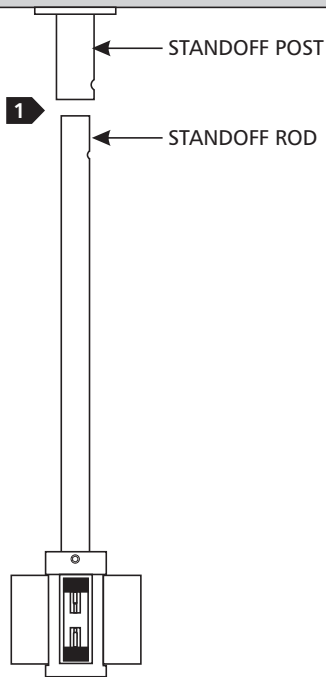


- 6 Fasten the standoff post to the anchor by inserting the provided #8 screw through the standoff post and screwing it to the anchor.

Install the Standoff

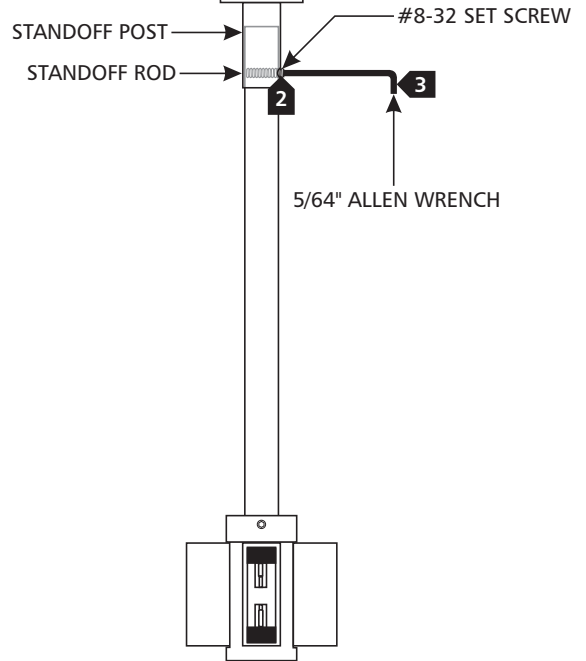
NOTE: If shortening the standoff rod (except the 2" standoff) to a custom length, refer to "Special Installation" steps on pages 3 & 4.

2A



- 1 Insert the standoff rod into the standoff post.

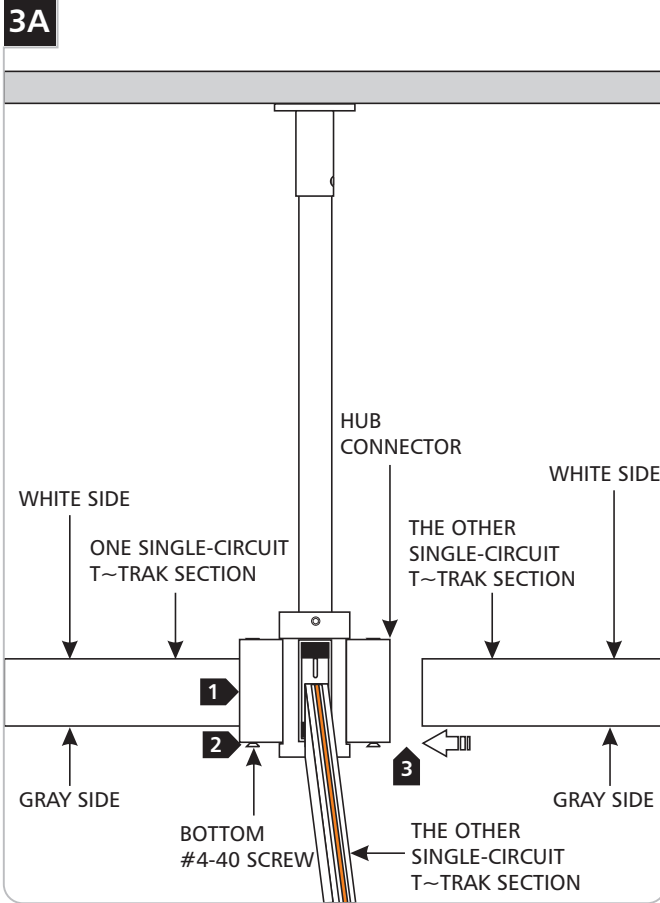
2B



- 2 Line up the standoff post hole with the standoff rod hole.
- 3 Place the provided #8-32 set screw into the standoff post hole completely and tighten it through the standoff rod with the provided 5/64" Allen wrench.
- 4 Repeat these steps for all similar standoffs.

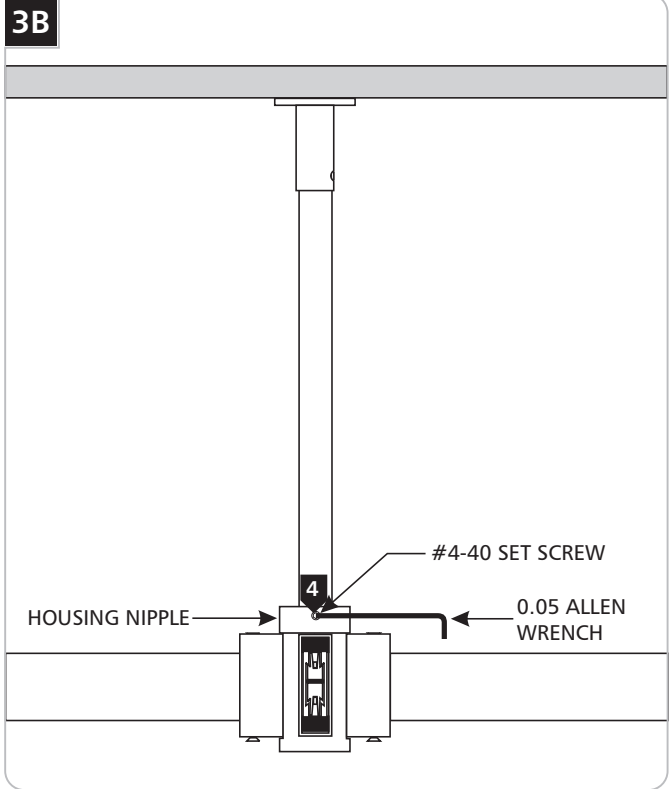
Mount the Single-Circuit T~trak™ to the Standoff With X/T/L Connector

NOTE: The two provided plastic inserts are not used in this procedure.



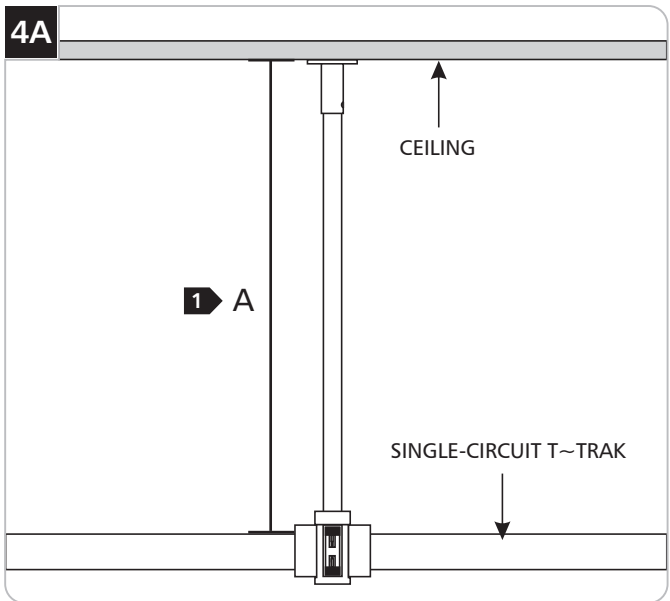
NOTE: When the Single-Circuit T~trak is formed into a shape, the ends become staggered. The staggered ends have to be cut even with a hacksaw. Refer to the Single-Circuit T~trak instructions to trim the ends before proceeding with these steps.

- 1** Push a Single-Circuit T~trak section all the way into the hub connector making sure that the white insulator is up facing the ceiling.
- 2** Tighten the bottom #4-40 screw with a Phillips screwdriver for a proper power connection.
- 3** Repeat these steps for the other Single-Circuit T~trak sections.



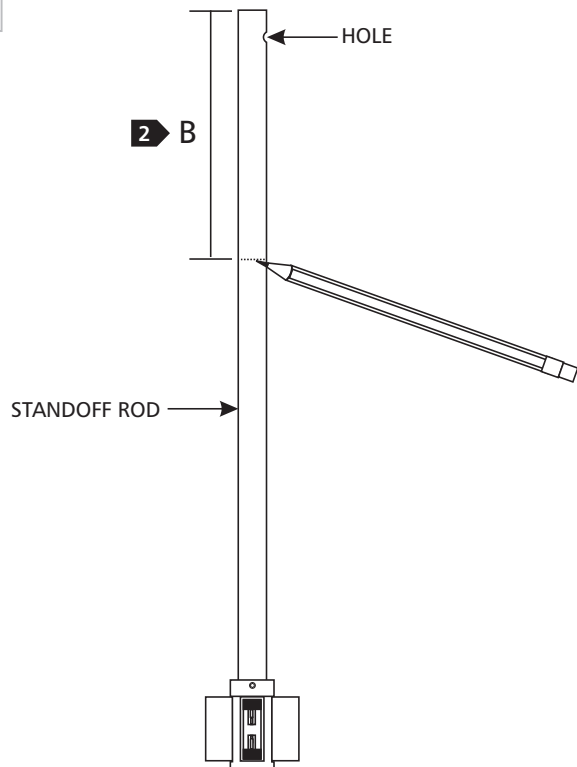
- 4** Tighten the #4-40 set screw on the housing nipple with the 0.05 Allen wrench to properly secure the standoff.

SPECIAL INSTALLATION: Shortening the Standoff



- 1** The standoff is measured (A) from the ceiling to the top of the Single-Circuit T~trak when completely installed.

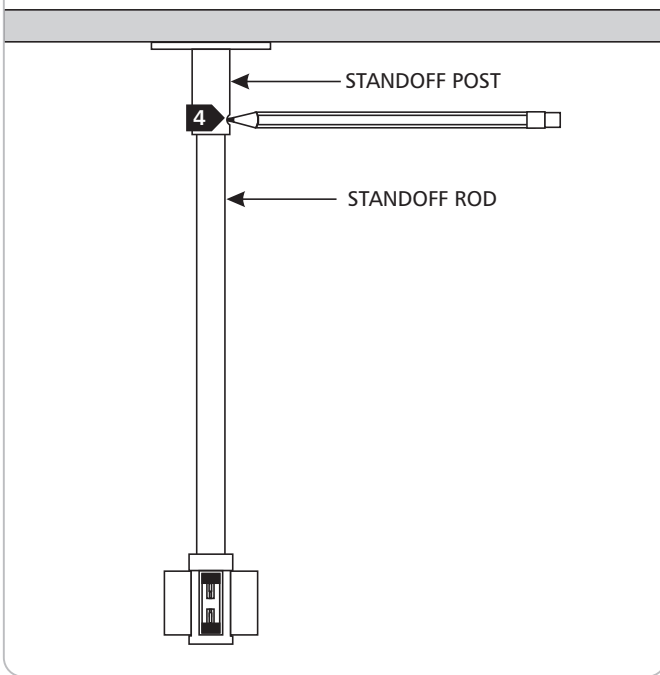
4B



2 From the end with the hole, mark the standoff rod the amount (B) that it needs to be shortened.

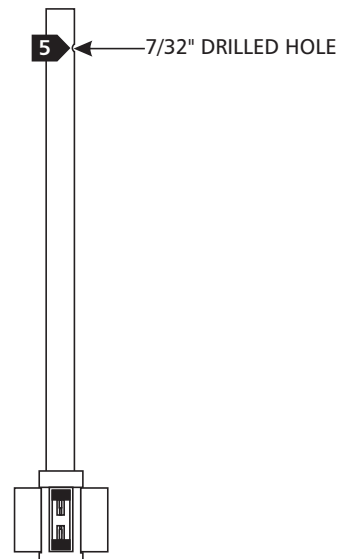
3 Cut the standoff rod with a hack saw.

4C



4 Push the standoff rod all the way into the standoff post. Mark a point on the standoff rod through the standoff post hole.

4D



5 Drill the marked point with a 7/32" bit.

6 Follow the "Install the Standoff" steps on page 2.

SAVE THESE INSTRUCTIONS!

T~TRAK

a brand of **TECH LIGHTING**

7400 Linder Ave, Skokie, IL 60077

847.410.4400

www.ttraklighting.com

© 2010 Tech Lighting, L.L.C. All rights reserved. The "T~trak"™ graphic is a registered trademark of T~trak™. T~trak™ reserves the right to change specifications for product improvements without notification.

A Generation Brands Company