

# Round Power Feed Canopy

700TTP4C\_ 2.3

## T~TRAK POWER FEED CANOPIES

### GENERAL PRODUCT INFORMATION:



This product is suitable for indoor dry locations only.

This product can mount to either a 4" square electrical box with round plaster ring or an octagon electrical box.

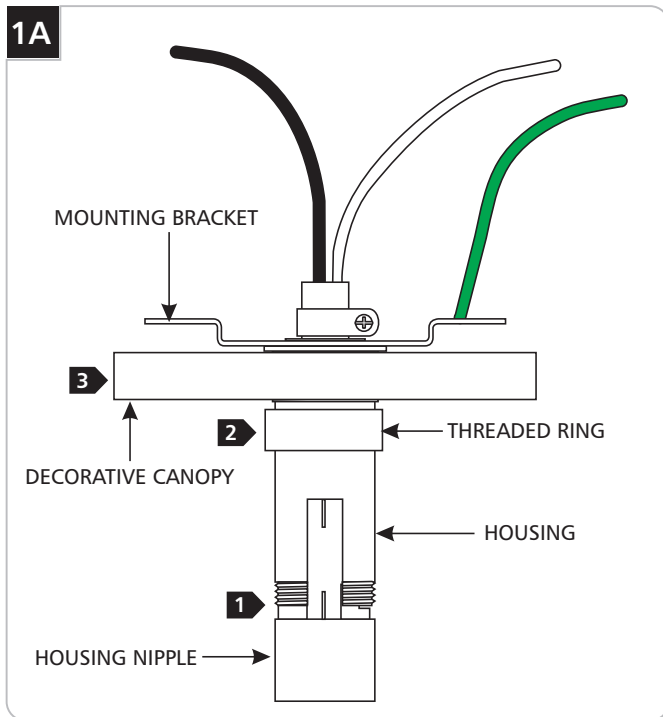
This product is patented (U.S. PAT 7,172,332).



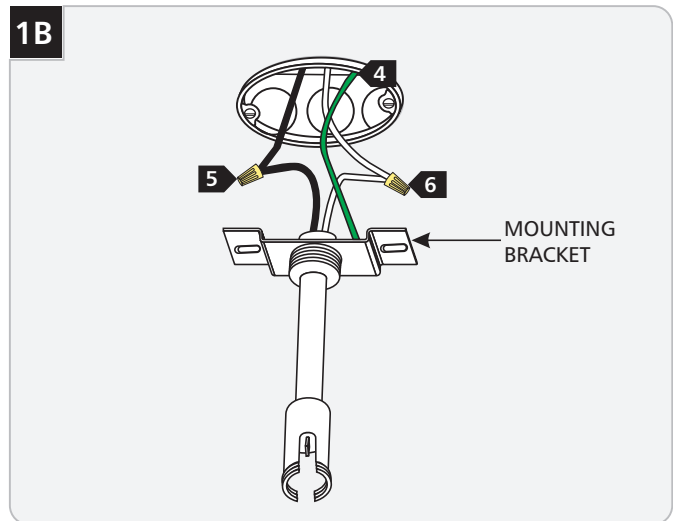
### Install the Power Feed Canopy

**NOTE:** If shortening the power feed rod (6" & up) to a custom length, refer to "Special Installation" steps on pages 3 & 4.

**CAUTION—RISK OF FIRE**  
This product requires installation by a qualified electrician. Before installing be sure to read all instructions and **TURN OFF POWER TO THE ELECTRICAL BOX.**



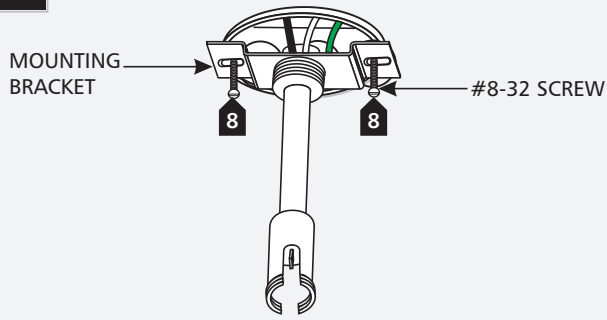
- 1** Unscrew and remove the housing nipple from the housing.
- 2** Unscrew and remove the threaded ring from the mounting bracket.
- 3** Remove the 4" round decorative canopy.



- 4** Connect the ground wire in accordance with local electrical codes.
- 5** Connect the black power feed wire to the hot power line wire with a wire nut.
- 6** Connect the white power feed wire to the neutral power line wire with a wire nut.
- 7** Properly place all wires into the electrical box.

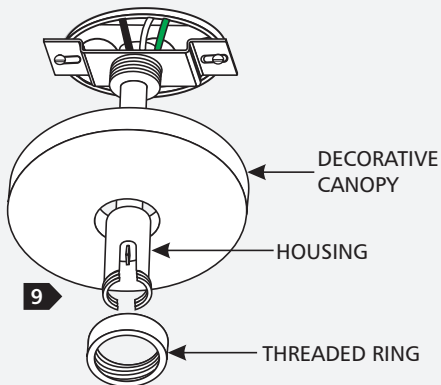
## Mount the Single-Circuit T~trak™ to Power Feed Canopy

1C



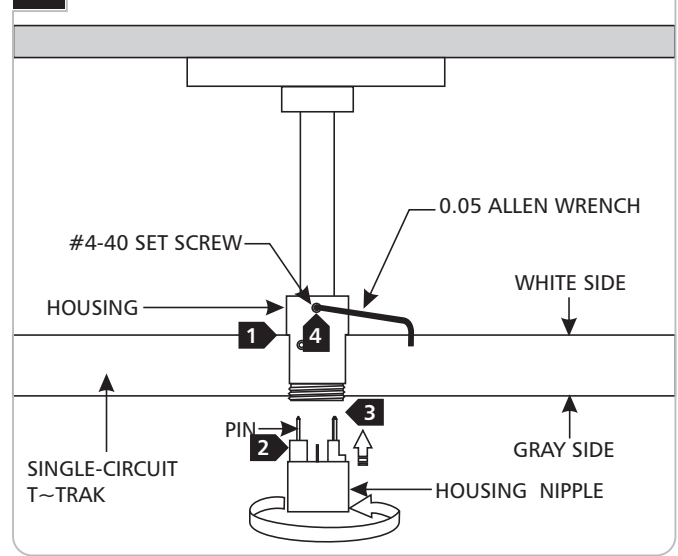
- 8 Line up the mounting bracket slots with the electrical box holes and secure it to the electrical box with the two provided #8-32 screws.

1D



- 9 Slide the 4" round decorative canopy onto the housing and secure it with the threaded ring.

2A

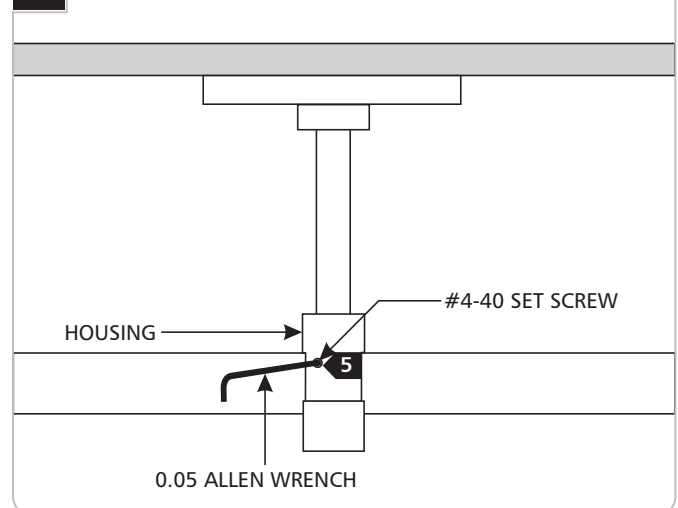


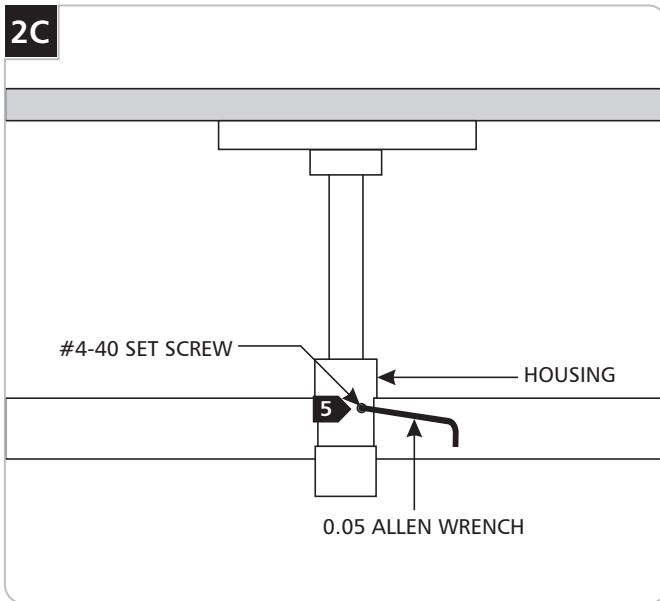
- 1 Push the Single-Circuit T~trak into the housing making sure that the white insulator is up, facing the ceiling.
- 2 Align the thick and thin plastic protrusions of the housing nipple with housing and insert the nipple pins into the housing.
- 3 Screw the housing nipple to the housing tight. Make sure not to cross thread.

**NOTE:** In case of cross threading, unscrew the housing nipple from the housing and repeat steps 1 through 3.

- 4 Tighten the #4-40 set screw on the upper center section of the housing with the 0.05 Allen wrench to properly secure the power feed.

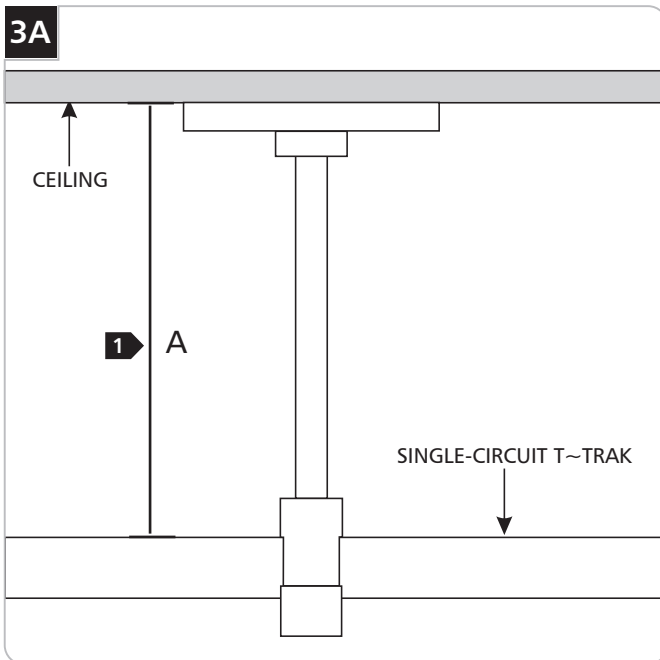
2B



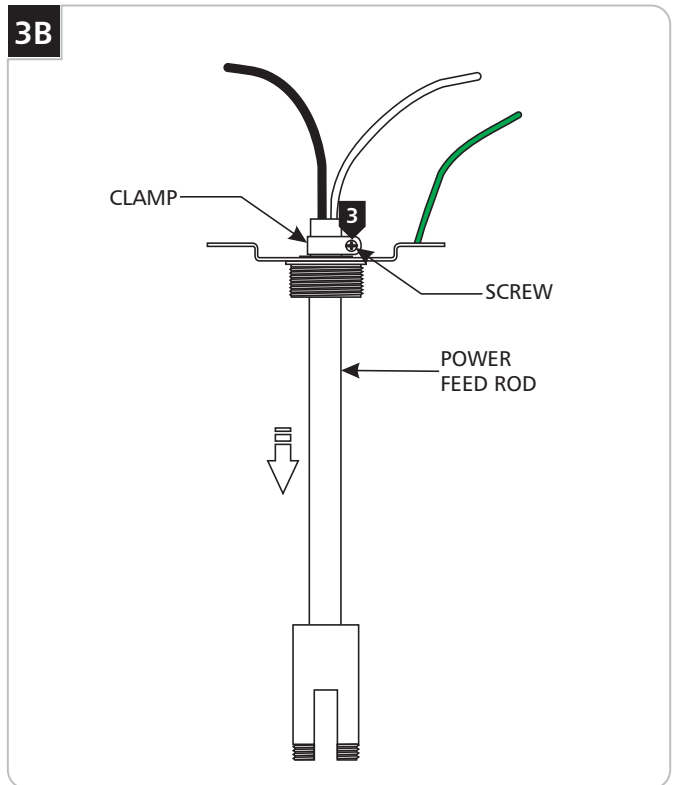
**2C**

- 5** Tighten the #4-40 set screws on both sides of the housing with the provided 0.05 Allen wrench to ensure Single-Circuit T~trak is properly grounded.

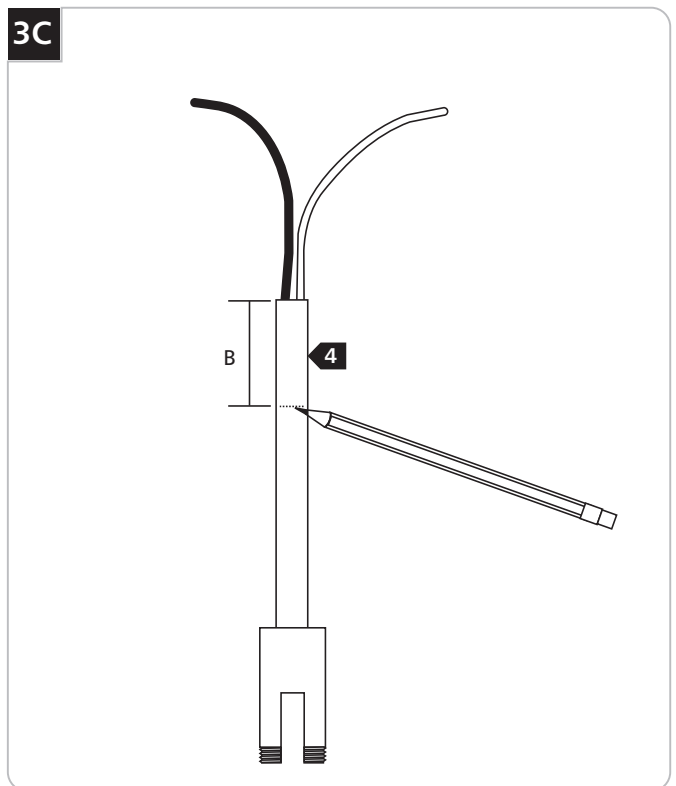
## SPECIAL INSTALLATION: Shorten the Power Feed Height (If Necessary)

**3A**

- 1** The power feed height is measured (A) from the ceiling to top of the Single-Circuit T~trak when completely installed.
- 2** Follow the steps for figure "1A".

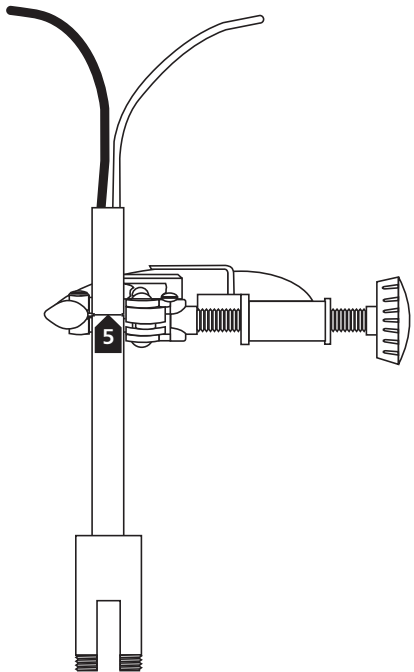
**3B**

- 3** Loosen the screw on the clamp with a Phillips screwdriver and pull out the power feed rod.

**3C**

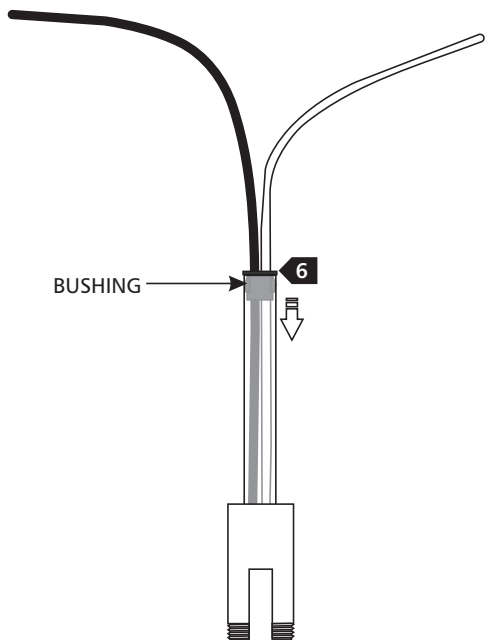
- 4** Mark the power feed rod the amount (B) that it needs to be shortened.

3D



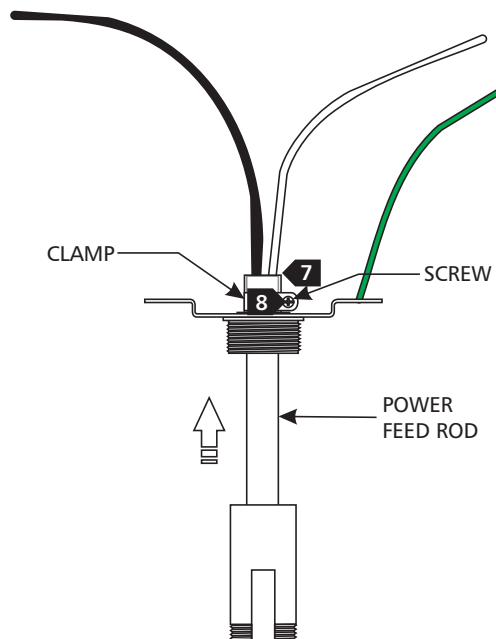
5 With a pipe cutter cut the excess power feed rod. Make sure not to nick the wires.

3E



6 Insert the provided plastic bushing all the way into the open end of the power feed rod.

3F



7 Push the power feed rod all the way into the clamp so that the end of the rod touches the stop on the inside of the clamp.

8 Tighten the screw very tight with a Phillips screwdriver to secure the rod.

9 Follow the "Install the Power Feed Canopy" steps on pages 1 & 2.

**SAVE THESE INSTRUCTIONS!**

**T~TRAK**

a brand of TECH LIGHTING®

7400 Linder Ave, Skokie, IL 60077

847.410.4400

[www.ttraklighting.com](http://www.ttraklighting.com)

© 2010 Tech Lighting, L.L.C. All rights reserved. The "T~trak"™ graphic is a registered trademark of T~trak™. T~trak™ reserves the right to change specifications for product improvements without notification.

A Generation Brands Company