

T~TRAK

HEADS-LINE VOLTAGE

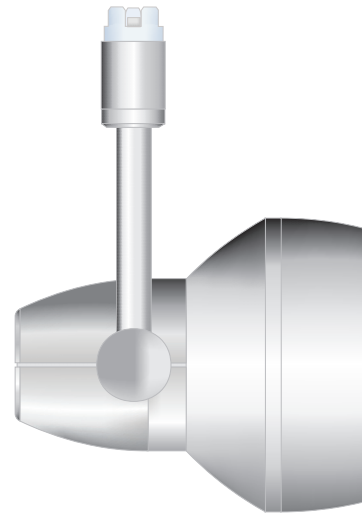
GENERAL PRODUCT INFORMATION:



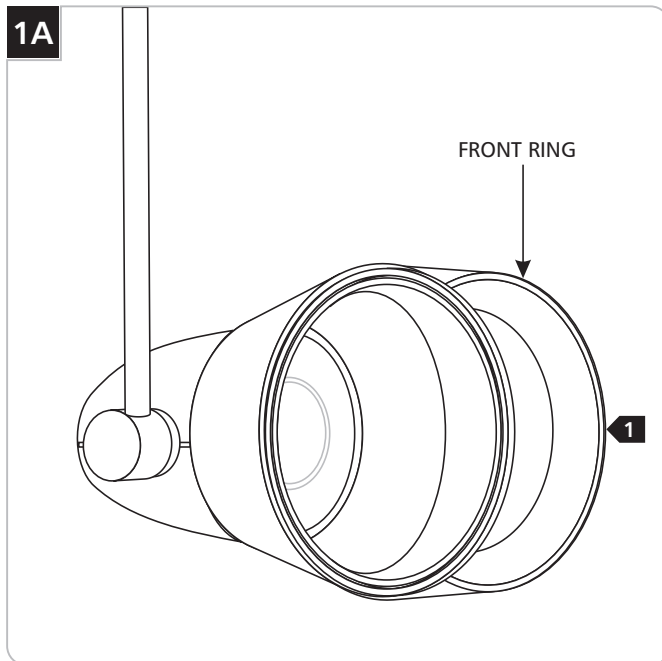
This product is suitable for indoor dry locations only.

This product is intended for use only with Tech Lighting Power Jack & T~trak™ systems.

This product is patented (U.S. PAT. 7,172,332).

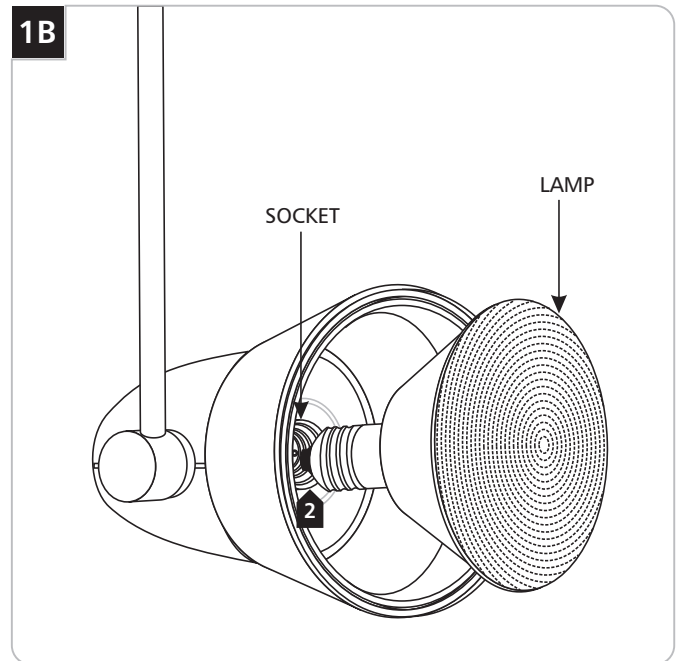


Installing the PAR20 or PAR30 Lamp



NOTE: Turn off power to the system before installing, removing, or relamping the fixture.

1 Remove the front ring from the body by unscrewing it counterclockwise.



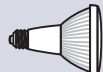
Use **MAX** 120 Volt, 50 Watt Incandescent PAR20 lamp.



Use **MAX** 120 Volt, 75 Watt Incandescent PAR30 Short lamp.

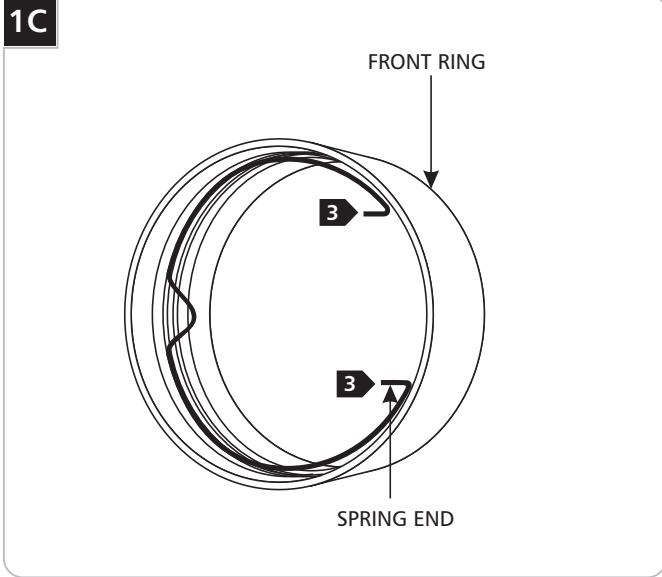


Use **MAX** 120 Volt, 75 Watt Incandescent PAR30 Long lamp.

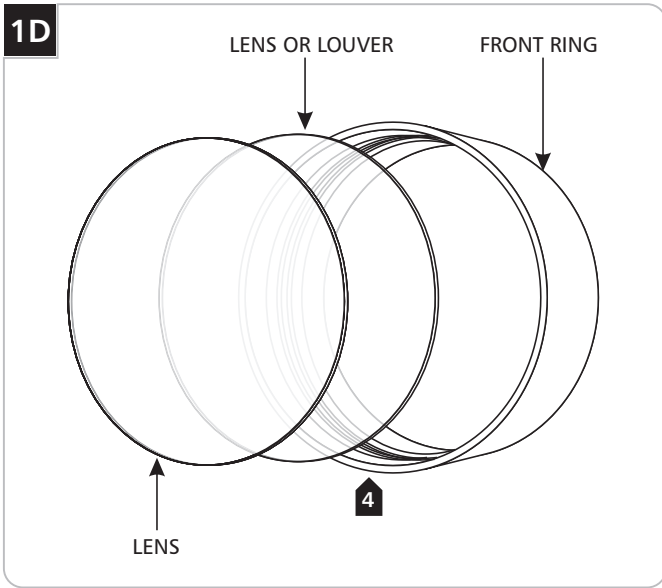


2 Screw the lamp into the socket.

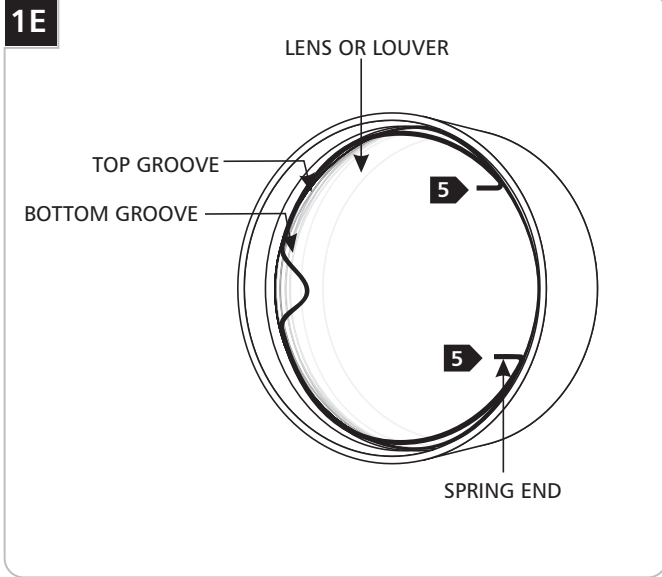
NOTE: Steps 3 to 5 is required only if a lens (optional) or louver (optional) is being used with the fixture.



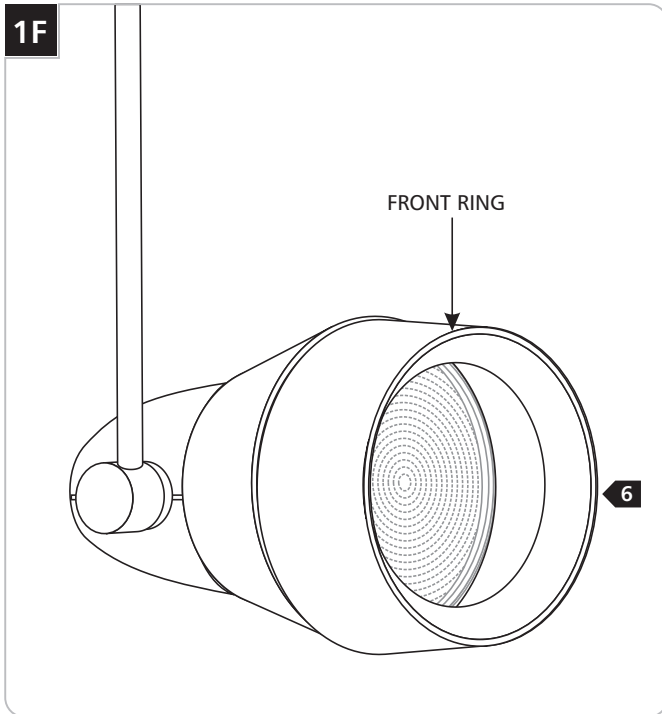
3 Squeeze the spring ends and remove it from the front ring.



4 Place one or at most two lenses and/or louver into the front ring.

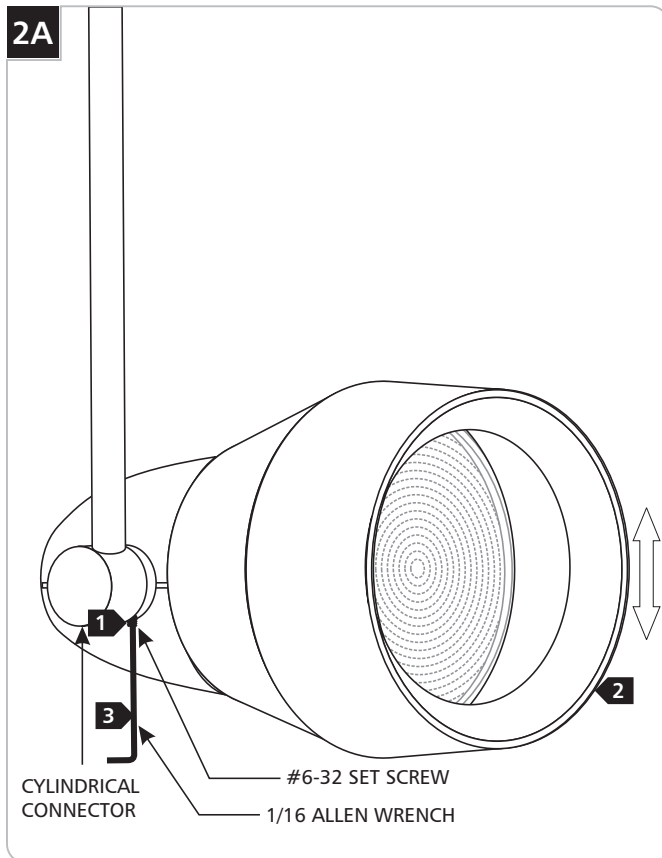


5 Squeeze the spring ends and place it on top of the lenses (louver) and into the top groove of the front ring. Use the bottom groove if a single lens or louver is used.



6 Replace the front ring.

SPECIAL INSTALLATION: Locking the Fixture in Permanent Position (Optional)



- 1 To lock the fixture head in a permanent vertical position, loosen (**Do Not Remove**) the #6-32 set screw on cylindrical connector with the provided 1/16 Allen wrench.
- 2 Rotate the fixture head to the desired position.
- 3 Tighten the #6-32 set screw with the 1/16 Allen wrench.

IMPORTANT SAFETY INSTRUCTIONS

To reduce the risk of fire, electrical shock, exposure to excessive UV radiation, or injury to person:

- Use this fixture indoors only.
- Do not look directly at the lighted lamp.
- Do not remain in light if skin feels warm.
- Risk of fire: Use only the type of lamp and maximum wattage indicated in this instruction manual.
- Never cover the lamp with anything. Never place flammable material close to your fixture.
- Never turn the fixture on and off by connecting and disconnecting the lamp.
- Do not touch the lamp while the fixture is on. This surface may be **HOT**.

SAVE THESE INSTRUCTIONS!

T~TRAK
a brand of **TECH LIGHTING**

7400 Linder Ave, Skokie, IL 60077
847.410.4400

www.ttraklighting.com

© 2010 Tech Lighting, L.L.C. All rights reserved. The "T~trak"™ graphic is a registered trademark of T~trak™. T~trak™ reserves the right to change specifications for product improvements without notification.
A Generation Brands Company