



BATH COLLECTION



**GENERAL PRODUCT INFORMATION:**

This product is suitable for damp locations.

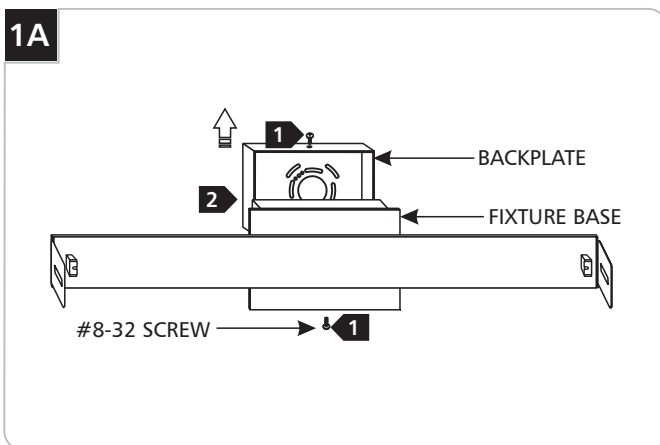


This product can mount to either a 4" square electrical box with round plaster ring or an octagon electrical box.

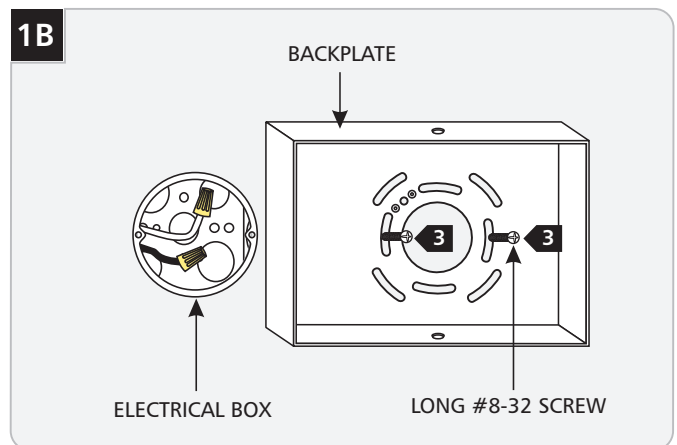
**CAUTION — RISK OF FIRE**

This product requires installation by a qualified electrician. Before installing be sure to read all instructions and **DISCONNECT POWER TO THE ELECTRICAL BOX.**

**Install the Backplate**

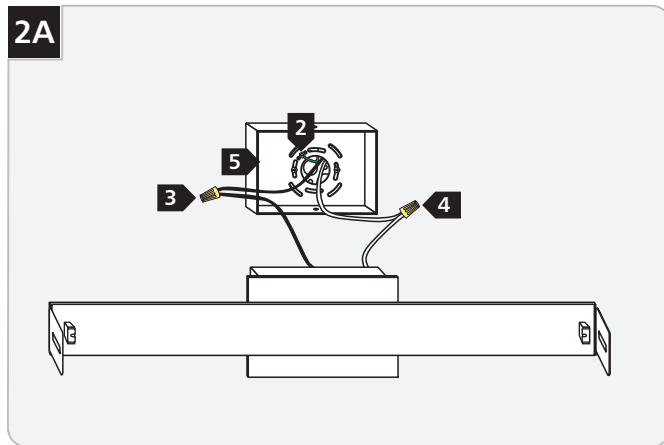


- 1** Remove the two #8-32 screws on the backplate with a Phillips head screwdriver.
- 2** Remove the backplate from the fixture base.

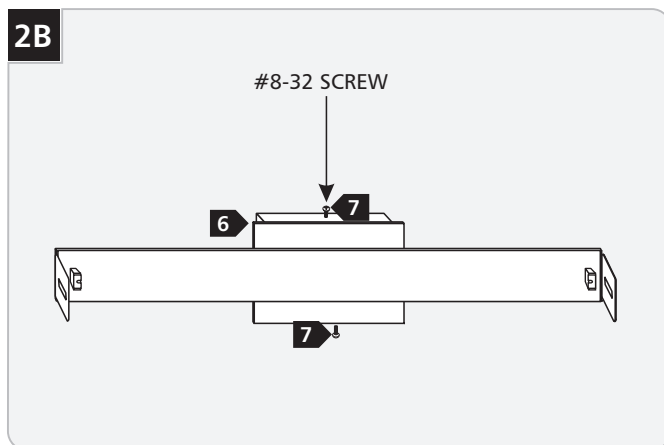


- 3** Mount the backplate to the electrical box with two long #8-32 screws.

## Connect the Power



- 1 Turn the power to the electrical box off.
- 2 Make sure that the backplate is grounded in accordance with local electrical codes.
- 3 Connect the black fixture wire(s) to the hot power line wire with a wire nut.
- 4 Connect the white fixture wire(s) to the neutral power line wire with a wire nut.
- 5 Properly place all wires into the backplate.

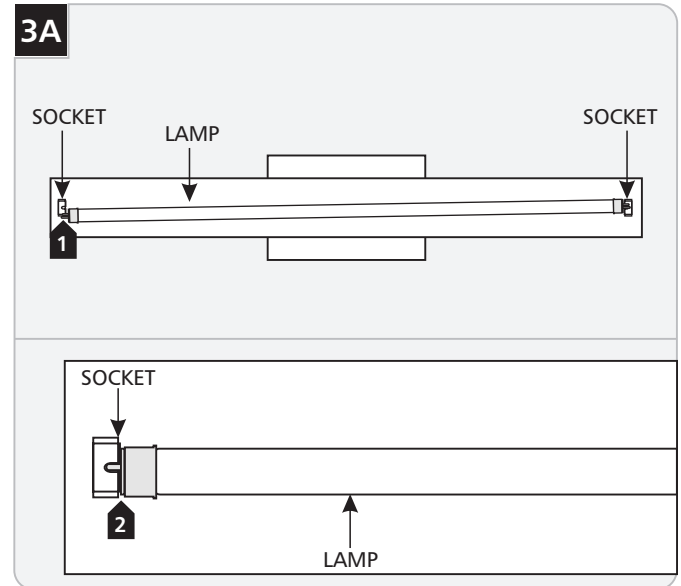


- 6 Place the fixture base onto the backplate and align the holes.
- 7 Replace and tighten the #8-32 screws.

 **TECH LIGHTING®**  
 7400 Linder Ave, Skokie, IL 60077  
 847.410.4400  
[www.techlighting.com](http://www.techlighting.com)

© 2008 Tech Lighting, L.L.C. All rights reserved. The "Tech Lighting" graphic is a registered trademark of Tech Lighting, L.L.C. Tech Lighting reserves the right to change specifications for product improvements without notification.  
 A Generation Brands Company

## Install the Lamp and Shade

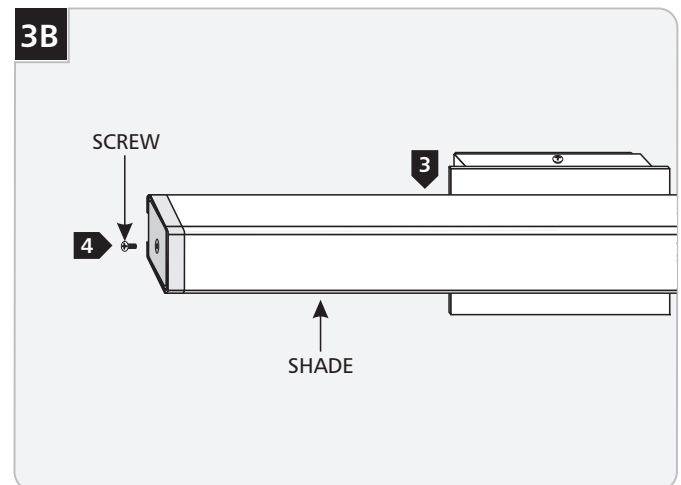


**CAUTION:** To reduce the risk of a burn or electric shock during relamping, disconnect the power to the fixture by turning the wall switch off.

Use **MAX 24 Watt** type T5 High Output linear fluorescent lamp.



- 1 Align the lamp pins with socket slots.
- 2 Push the pins all the way into the socket slots and rotate the lamp until it clicks into the place.



- 3 Carefully slide the shade onto the fixture base.
- 4 Install the screws to the ends of the shade to hold the shade in place.

**SAVE THESE INSTRUCTIONS!**