



WALL COLLECTION



**GENERAL PRODUCT INFORMATION:**

This fixture is intended to be installed utilizing NEC compliant junction boxes.

Mountable both vertically and horizontally.

Suitable for damp locations.

This fixture may be dimmed with a low-voltage electronic dimmer.

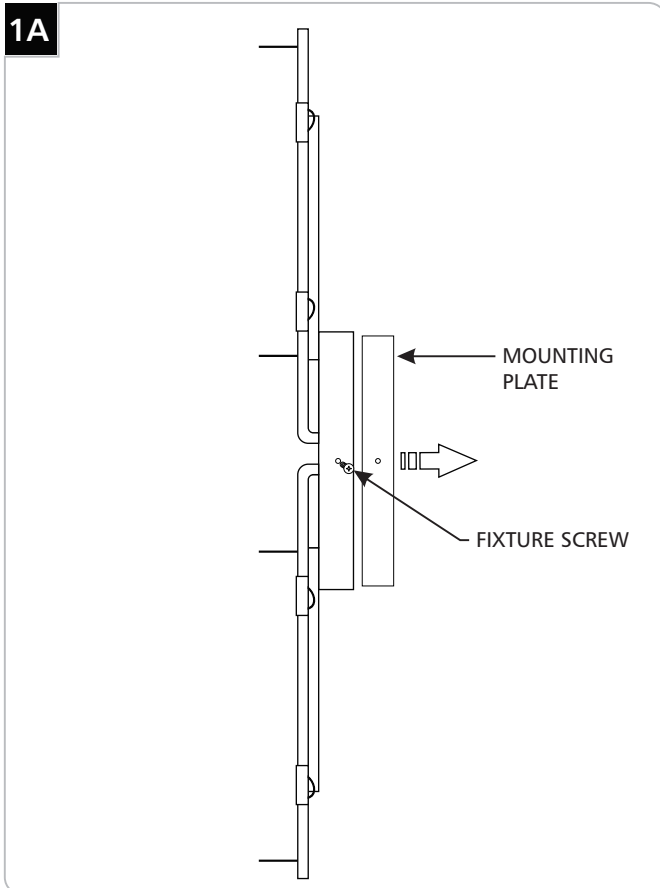
**CAUTION - RISK OF FIRE**

This product must be installed in accordance with the applicable installation code by a person familiar with the construction and operation of the product and the hazards involved.

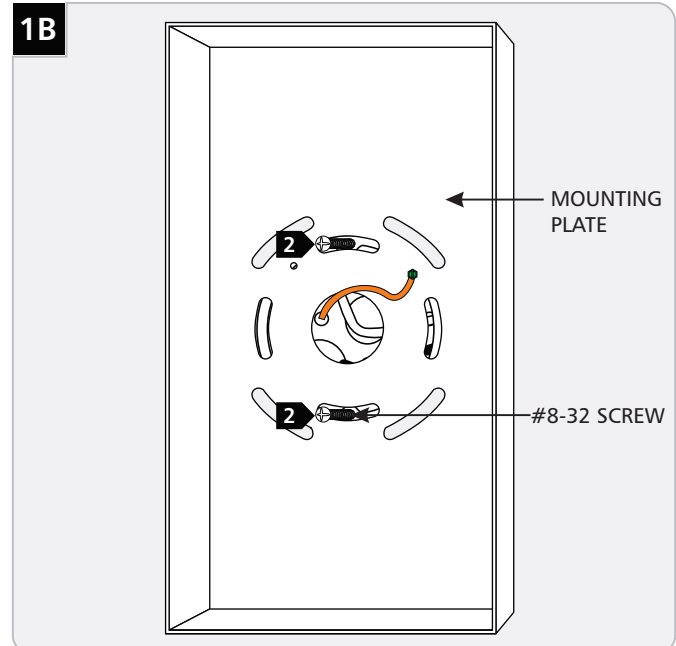
Use minimum 90°C supply conductors.



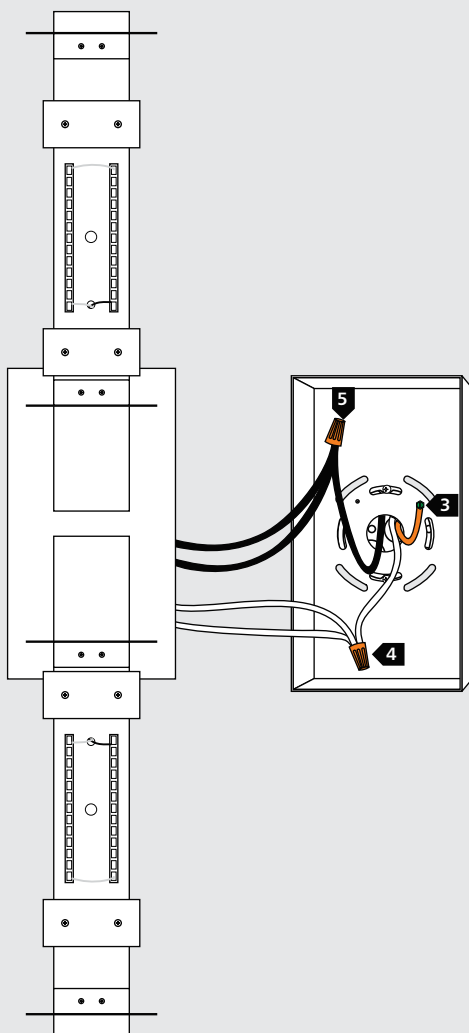
**Install the Fixture**



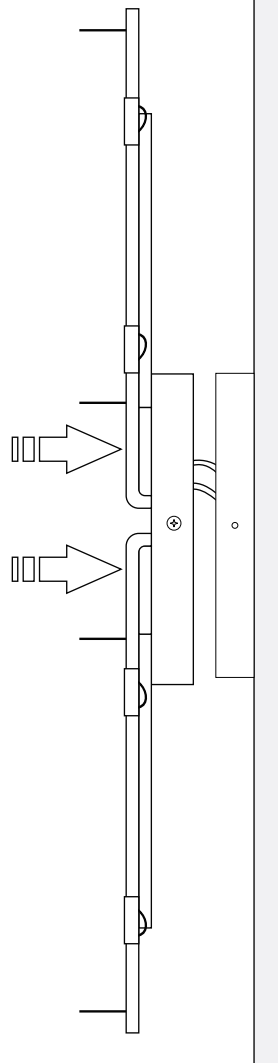
**1** Separate the mounting plate from the fixture by removing the two fixture screws.



**2** Secure the mounting plate to the electrical box with the two #8-32 screws provided.

**1C**

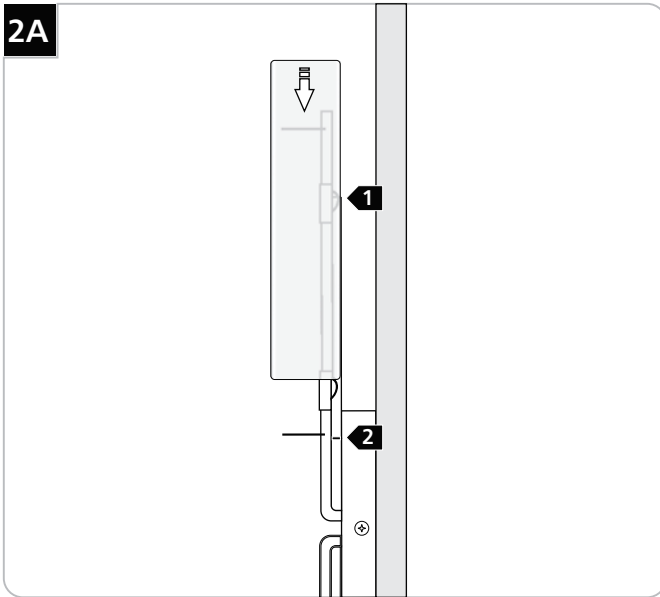
- 3** Connect the fixture to a suitable ground in accordance with local electrical codes.
- 4** Connect both white driver wires to the neutral power line wire with a wire nut.
- 5** Connect both black driver wires to the hot power line wire with a wire nut.

**1D**

- 6** Place all wires and wire nut connections inside the fixture.
- 7** Reinstall the fixture to the mounting plate and secure it in place by tightening the two fixture screws.

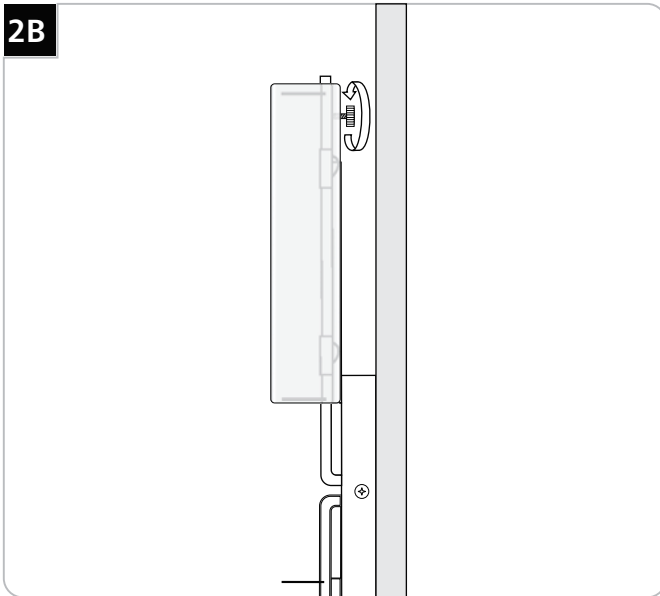
## Install the Shades

2A



- 1 Line up the slot in the back side of the glass shade with the guide channel on the fixture.
- 2 Slide the glass shade all the way to the stop. If installing the fixture so the glass points downward, hold the glass in place with one hand until step 6 is complete.

2B



**NOTE:** Do not over tighten the thumb screw. Overtightening may break the glass and cause injury.

- 3 Screw the thumb screw into the back of the fixture through the hole in the back of the glass shade.
- 4 Repeat steps 1-4 for the other lamp and glass shade.

**SAVE THESE INSTRUCTIONS!**



**TECH LIGHTING®**

7400 Linder Ave, Skokie, IL 60077

847.410.4400

[www.techlighting.com](http://www.techlighting.com)

© 2015 Tech Lighting, L.L.C. All rights reserved. The "Tech Lighting" graphic is a registered trademark of Tech Lighting, L.L.C. Tech Lighting reserves the right to change specifications for product improvements without notification.

A Generation Brands Company