

Gia Vanity Kit

700BCGIKVTR_

1.0



BATH COLLECTION



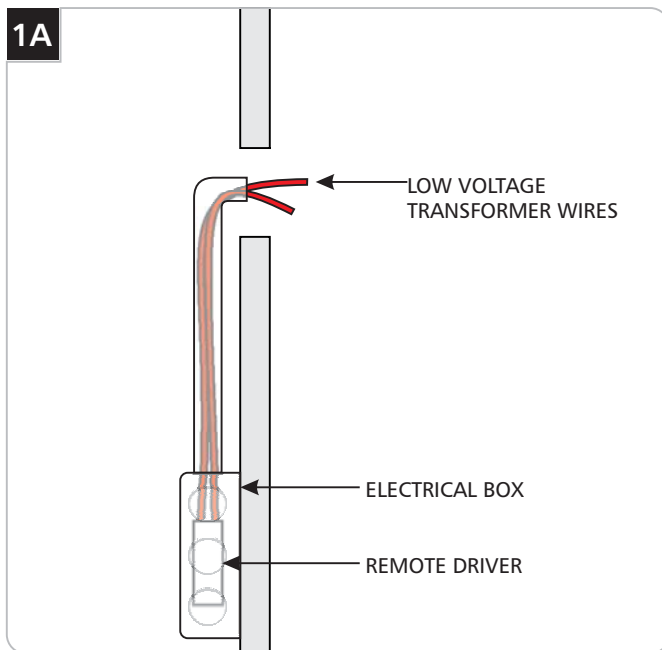
GENERAL PRODUCT INFORMATION:

This product is suitable for damp locations.

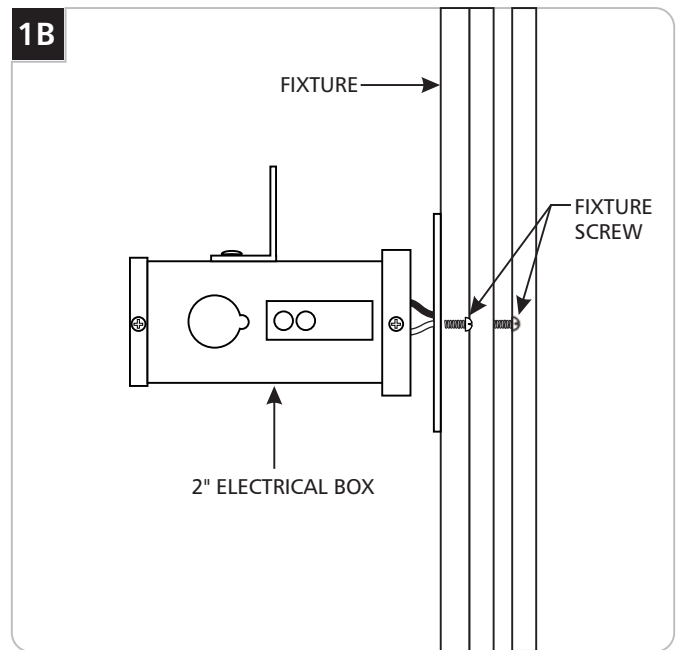
CAUTION: It is important to determine the location of the transformer and fixture layout before beginning the following installation.

CAUTION - RISK OF FIRE
 This product must be installed in accordance with the applicable installation code by a person familiar with the construction and operation of the product and the hazards involved.
 Use minimum 90°C supply conductors.

Prepare for Installation

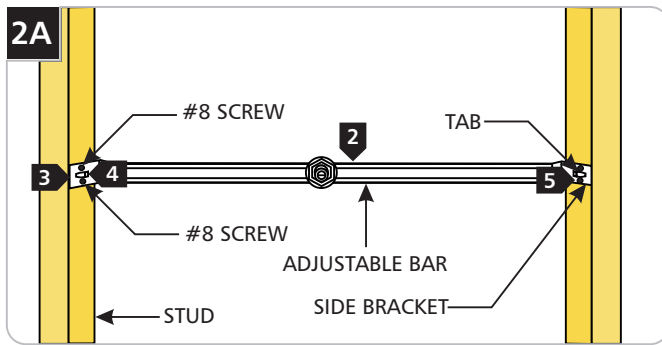


- 1 The driver must be installed at a remote location in accordance with local electrical code.
- 2 The low-voltage transformer wire must be present before the 2" electrical box and fixture is installed.



- 3 Separate the fixture from the 2" electrical box by removing the two fixture screws.

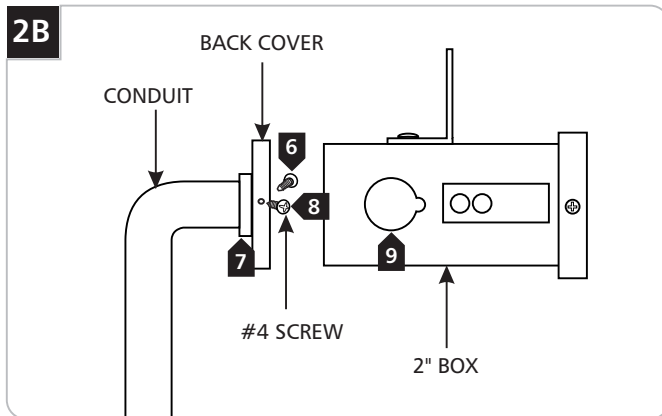
For New Construction Installation



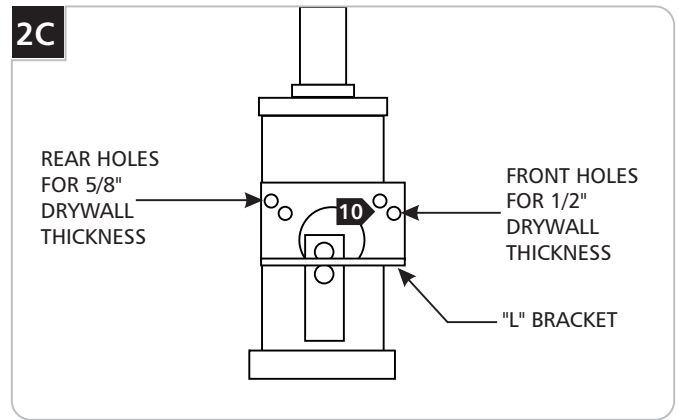
- 1 Select the location for the 2" electrical box.
- 2 Place the adjustable bar between the studs.

NOTE: The adjustable bar is for studs that are spaced 16" apart.

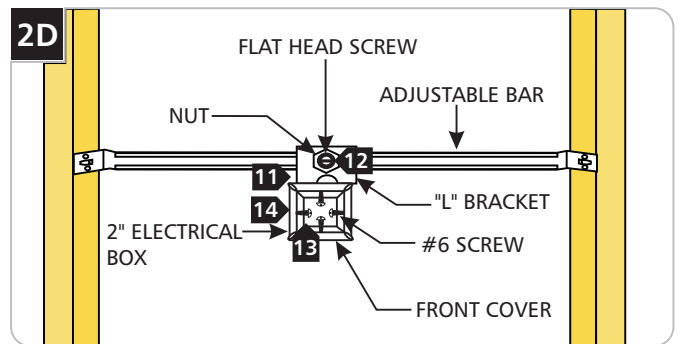
- 3 Line up the front edge of the side brackets with front edge of the studs.
- 4 Hammer the tabs on side brackets into the studs to hold the adjustable bar.
- 5 Secure the adjustable bar into the studs with four #8 screws.



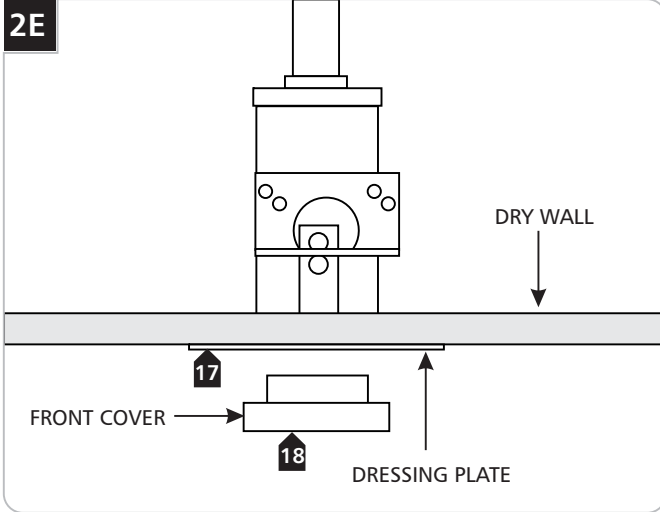
- 6 If mounting the conduit onto back of the 2" electrical box, remove the two #4 screws from the back cover to detach the back cover from the box.
- 7 Remove the knock out and mount the conduit.
- 8 Replace the back cover and #4 screws if removed.
- 9 Conduit can also be mounted on the side knockouts.



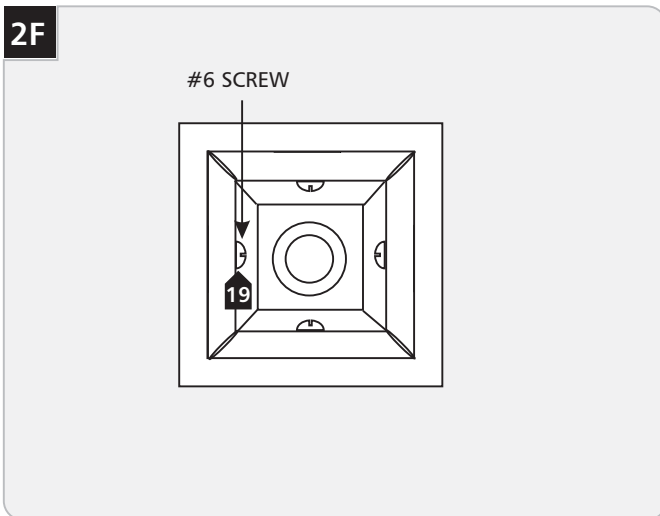
- 10 For 1/2" drywall thickness mount the "L" bracket on the 2" electrical box by using the two front holes. For 5/8" drywall thickness mount the "L" bracket to the 2" electrical box by using the two rear holes.



- 11 Remove the nut on the adjustable bar and place the "L" bracket onto the nipple. Tighten the nut to secure the 2" electrical box.
- 12 Loosen the flat head screw on the adjustable bar and slide the 2" electrical box to the desired position. Tighten the flat head screw to secure the 2" box in position.
- 13 Remove the four #6 screws on the front of the 2" electrical box.
- 14 Remove the front cover.
- 15 Mark a 1-13/16" square on the drywall where the 2" electrical box is going to be located.
- 16 Cut out the marked square with a sharp knife and install the drywall.

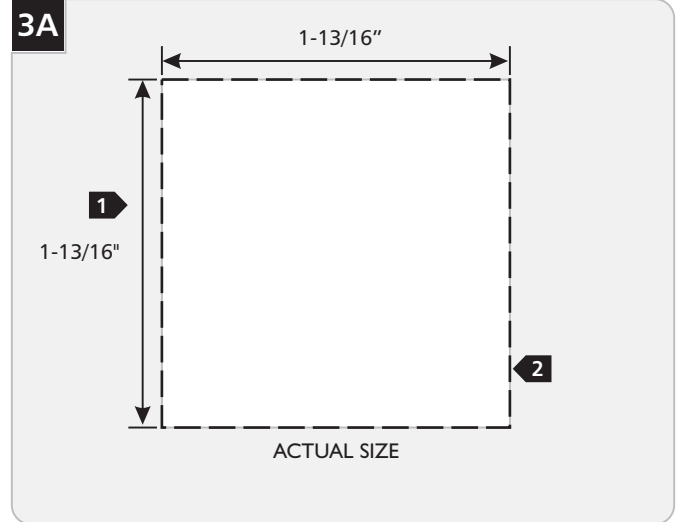


- 17 After installing the drywall, place the dressing plate on the 2" electrical box. The dressing plate should cover the plaster or open spaces around the 2" electrical box.
- 18 Replace the front cover.

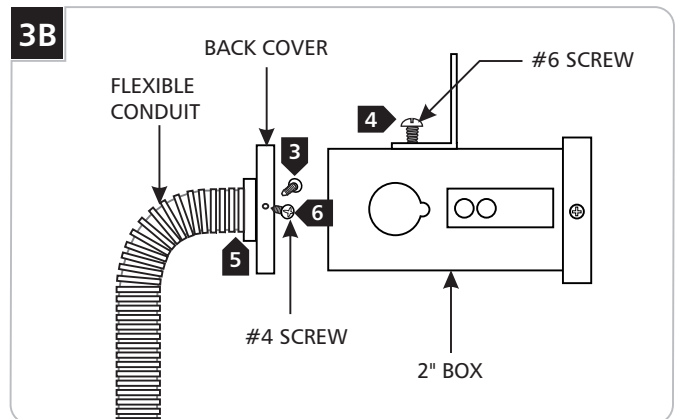


- 19 Replace and tighten the four #6 screws on front cover completely so that the spring tabs on the side of the 2" electrical box push out against the drywall and secure the box in place.
- 20 Skip to section 4.

For Retrofit Installation



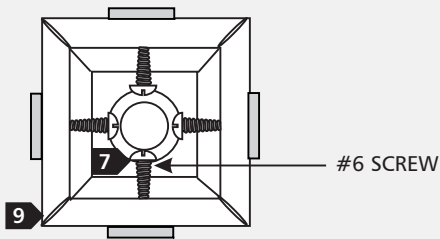
- 1 Mark a 1-13/16" square on the drywall where the 2" electrical box is going to be located. The drawing above can be used as a template.
- 2 Cut out the marked square with a sharp knife.



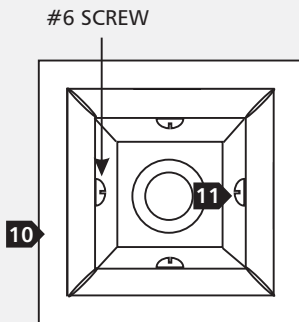
- 3 Loosen the two #4 screws on the back cover. Remove the back cover.
- 4 Remove the two #6 screws on the "L" bracket. Remove the "L" bracket.

NOTE: The "L" bracket and adjustable bar are not used for retrofit installations.

- 5 Remove the knockout from the back cover and mount the flexible conduit.
- 6 Replace the back cover and #4 screws on the 2" electrical box.

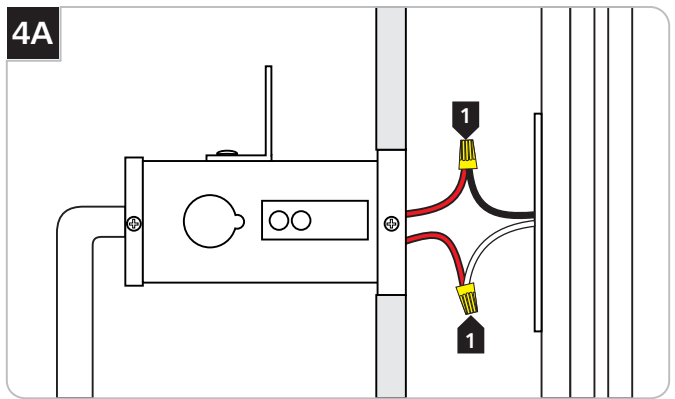
3C

- 7** Remove the four #6 screws on the front of the 2" electrical box.
- 8** Remove the front cover.
- 9** Place the 2" electrical box into the square cut out.

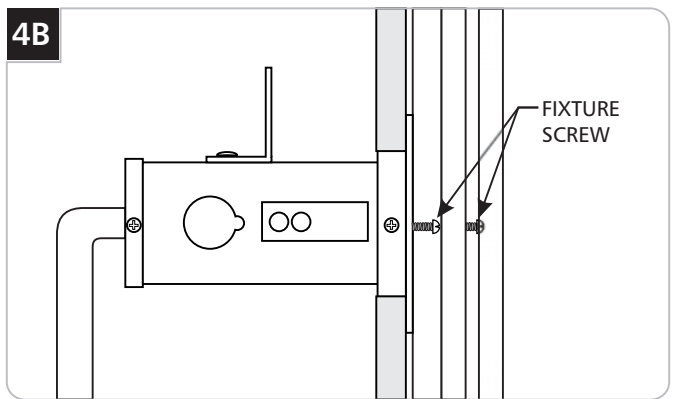
3D

- 10** Replace the front cover.
- 11** Replace and tighten the four #6 screws on front cover completely so that the spring tabs on the side of the 2" electrical box push out against the drywall and secure the box in place.

Install the Fixture

4A

- 1** Connect the fixture wires to the low-voltage wires coming from the remote transformer in the 2" electrical box with wire nuts.

4B

- 2** Place the fixture onto the electrical box, align the mounting holes, and secure it in place with the fixture screws.

SAVE THESE INSTRUCTIONS!



TECH LIGHTING®

7400 Linder Ave, Skokie, IL 60077
847.410.4400

www.techlighting.com

© 2008 Tech Lighting, L.L.C. All rights reserved. The "Tech Lighting" graphic is a registered trademark of Tech Lighting, L.L.C. Tech Lighting reserves the right to change specifications for product improvements without notification.
A Generation Brands Company