

Fino Large

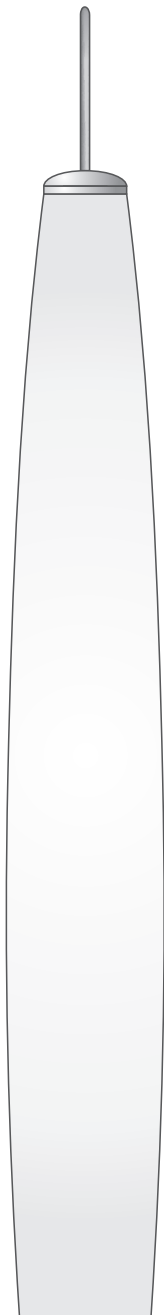
700TDFINPL_-CF 1.0

2 thousand degrees

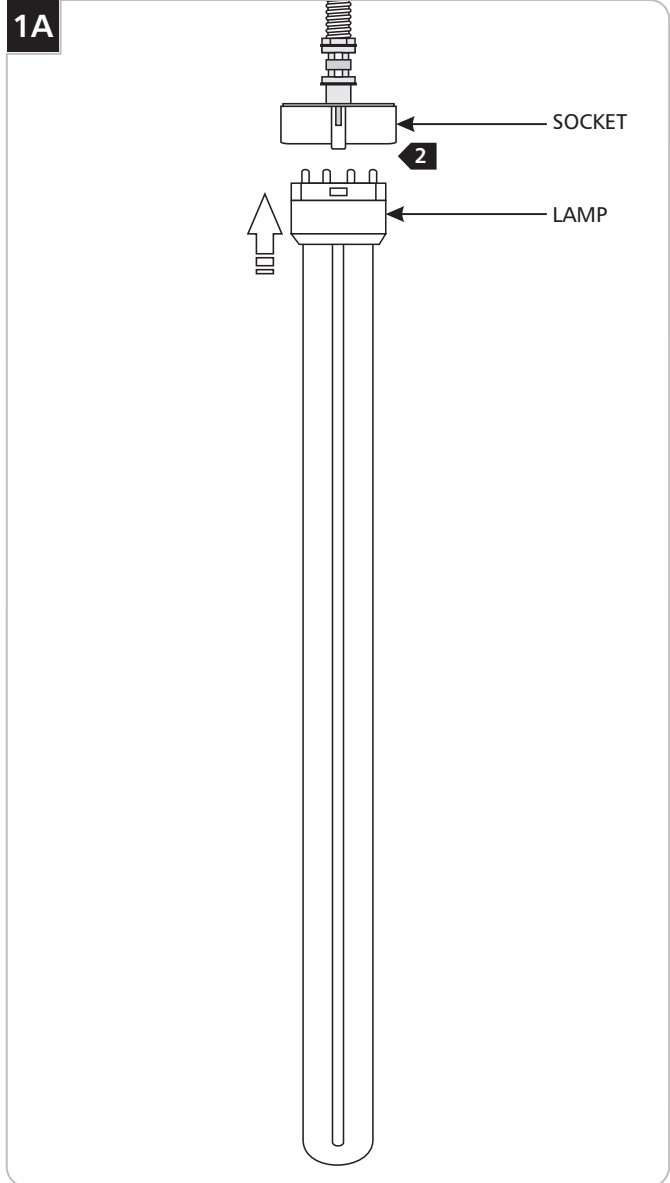
PENDANTS

GENERAL PRODUCT INFORMATION:

This product is suitable for damp locations.



Install the Lamp



CAUTION: To reduce the risk of a burn or electric shock during relamping, disconnect the power to the fixture.

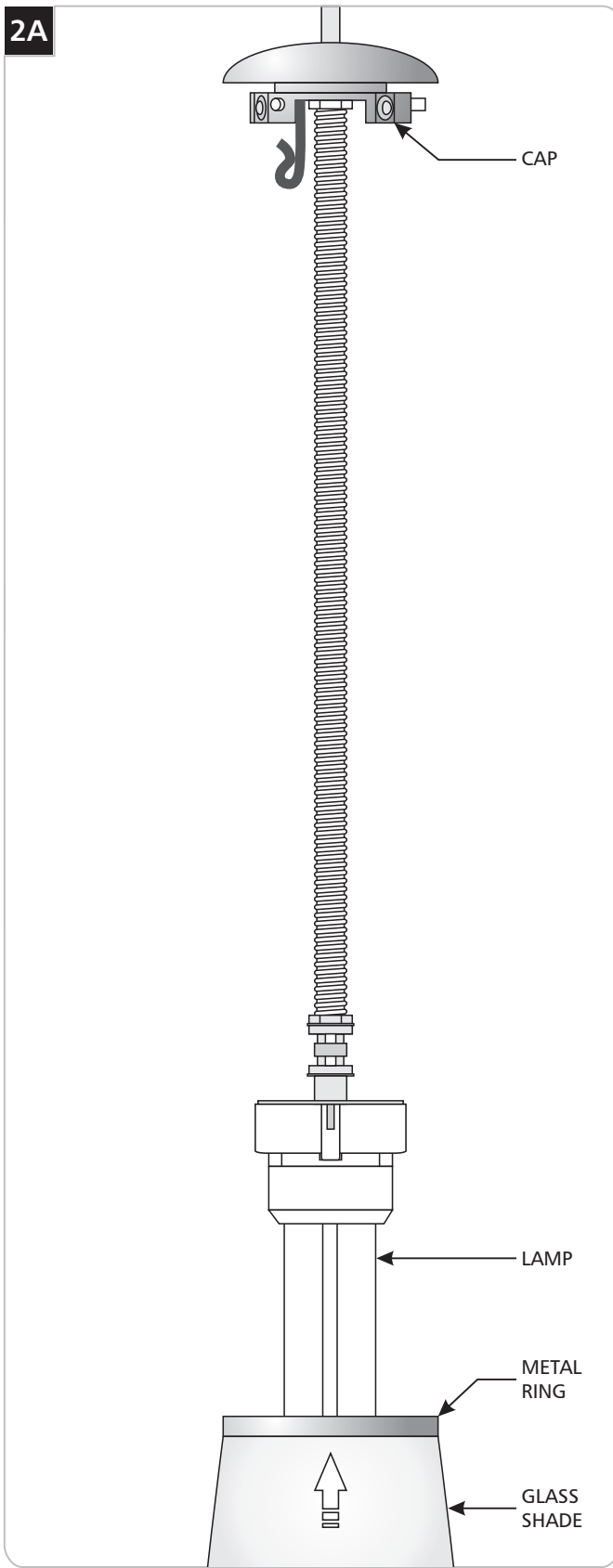
Use **MAX 39 Watt** type T5, 2G11 base compact fluorescent lamp.



- 1** Before installing the lamp, mount the fixture to the ceiling by following the instructions for the canopy.
- 2** Push the lamp base completely into the socket.

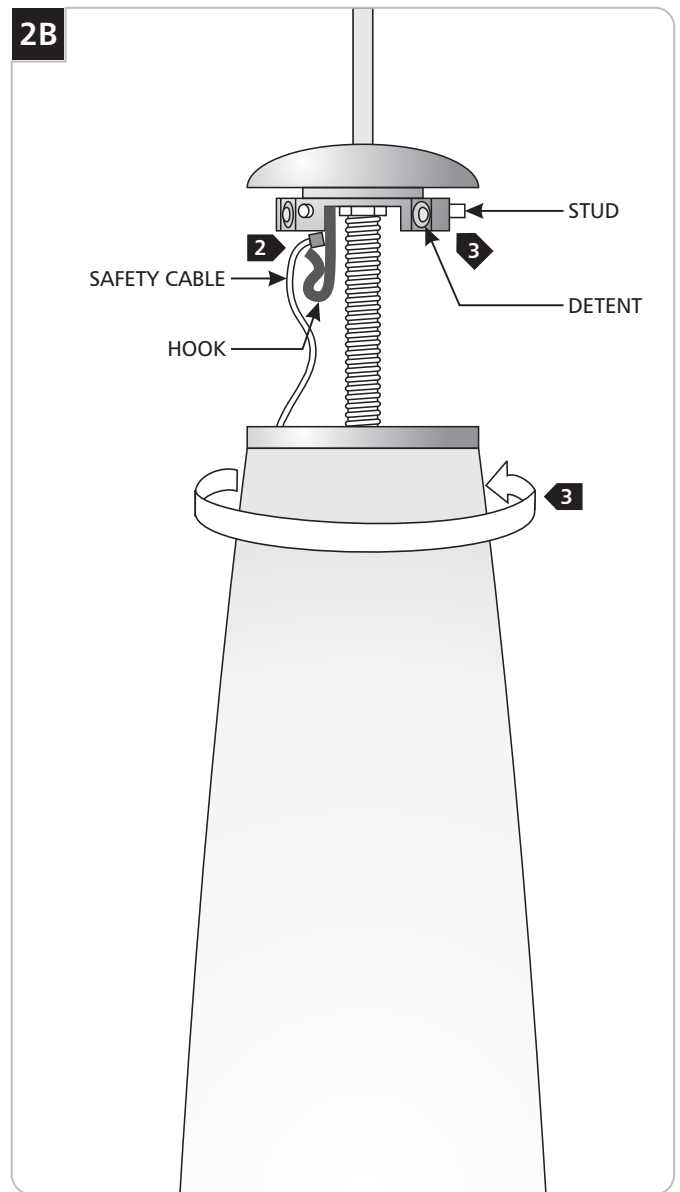
Assemble the Fixture

2A



- 1 Carefully raise the glass shade to the lamp cap. Take care to avoid hitting the end of the lamp tube on the metal ring at the top of the shade.

2B



- 2 Slip the end of the safety cable into the hook on the cap.
- 3 Line up the studs in the cap with the slots in the shade, push in and turn to engage the detents. You will hear a click when it is engaged.

SAVE THESE INSTRUCTIONS!

2 thousand degrees™

7400 Linder Ave, Skokie, IL 60077
847.410.4400

www.2thousanddegrees.com

© 2008 Tech Lighting, L.L.C. All rights reserved. The "2thousand degrees" graphic is a registered trademark of 2thousand degrees. 2thousand degrees reserves the right to change specifications for product improvements without notification.

A Generation Brands Company