

Sullivan Head

600FJSVN

1.3



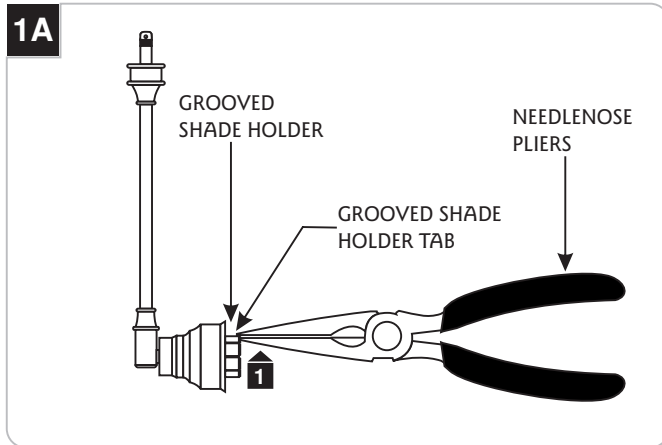
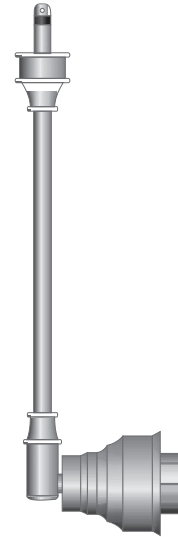
HEADS-LOW VOLTAGE

GENERAL PRODUCT INFORMATION:



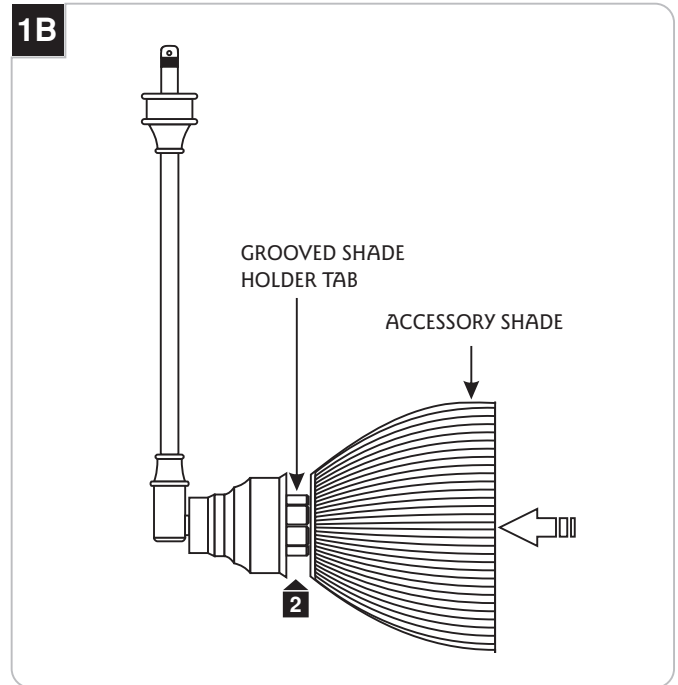
This product is ETL listed and suitable only for indoor dry locations and approved for use at any height above the finished floor.

Blossom Glass Shield, Cargo Solid Shield, Cargo Ribbed Shield, Flute Glass Shield, Little Pleat Glass Shield, Mission Glass Shield, Prism Glass Shield, and Tapered Glass Shield are the applicable accessories.

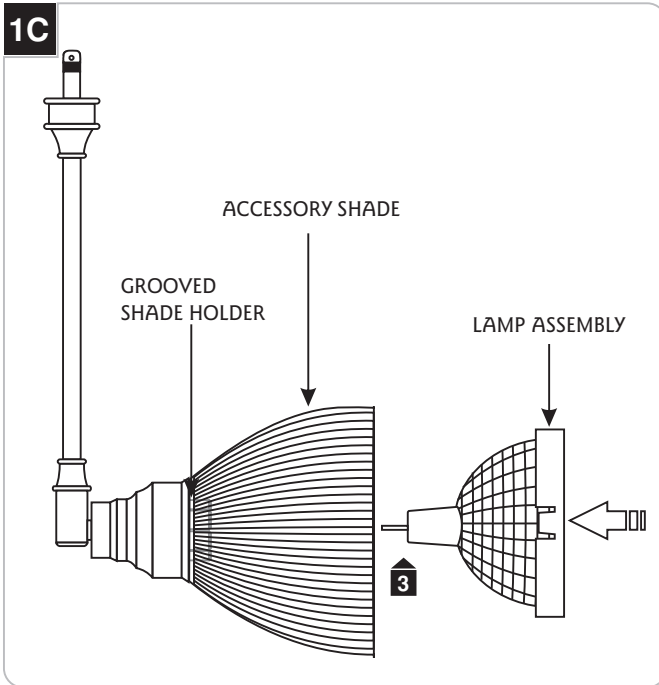
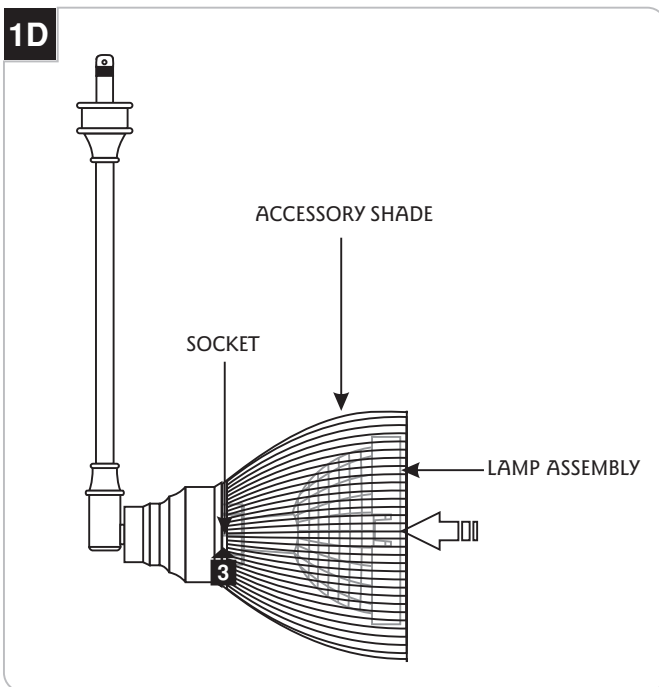


- 1 If applicable accessory fits tight or loose onto the Sullivan fixture, then carefully bend the grooved shade holder tabs in or out slightly with needlenose pliers.

NOTE: Bend the grooved shade holder tabs carefully. Excessive bending may break the tabs.



- 2 Push the accessory shade completely onto the grooved shade holder. For more information refer to the instruction provided with the accessory shade.

1C**1D**

CAUTION: To reduce the risk of a burn or electric shock during relamping, disconnect the power to the fixture.

Use **MAX** 50 Watt, MR16 Front Cover Halogen Lamp.



3 Insert the lamp pins completely into the socket holes.

IMPORTANT SAFETY INSTRUCTIONS

To reduce the risk of fire, electrical shock, exposure to excessive UV radiation, or injury to person:

- Use this fixture indoors only.
- Do not look directly at the lighted lamp.
- Do not remain in light if skin feels warm.
- Risk of fire: Use only the type of lamp and maximum wattage indicated in this instruction manual.
- Never cover the halogen lamp with anything other than a Wilmette Lighting lamp shield and never place flammable material close to your fixture.
- Never turn the fixture on and off by connecting and disconnecting the halogen lamp.
- Do not touch the fixture shades or lamp shield while the fixture is on. These surfaces may be HOT.

Halogen Lamp General Information

- A new halogen lamp may smoke slightly when it is used for the first time. This is perfectly normal; the protective coating is simply being vaporized.

Two Tips For Prolonging Halogen Lamp Life

- First avoid touching the lamp with bare hands during installation. Any contaminant, even the oil from your hands can deteriorate the lamp. Rubbing alcohol can be used to remove any contaminant.
- Second, do not run the lamps at full power when you do not need to. However, if dimming the fixture for an extended period of time, occasionally bring the light up to full brightness for a few minutes to complete the halogen cycle.

SAVE THESE INSTRUCTIONS!

W I L M E T T E  L I G H T I N G
C O M P A N Y

7400 Linder Ave, Skokie, IL 60077
847.410.4400

www.wilmettelighting.com

© 2008 Wilmette Lighting Company. All rights reserved. The "Wilmette Lighting Company" graphic is a registered trademark of Wilmette Lighting Company. Wilmette Lighting Company reserves the right to change specifications for product improvements without notification.

A Generation Brands Company